

Intrinsically Safe - Mining LIPS® SERIES M103	Part Number Coding									
	M103	Travel	A	Y	Conn / Cable and	N	Option 1	Option 2	Option 3	Z000

Short Stroke Position Sensor

Travel	
mm of stroke	Value

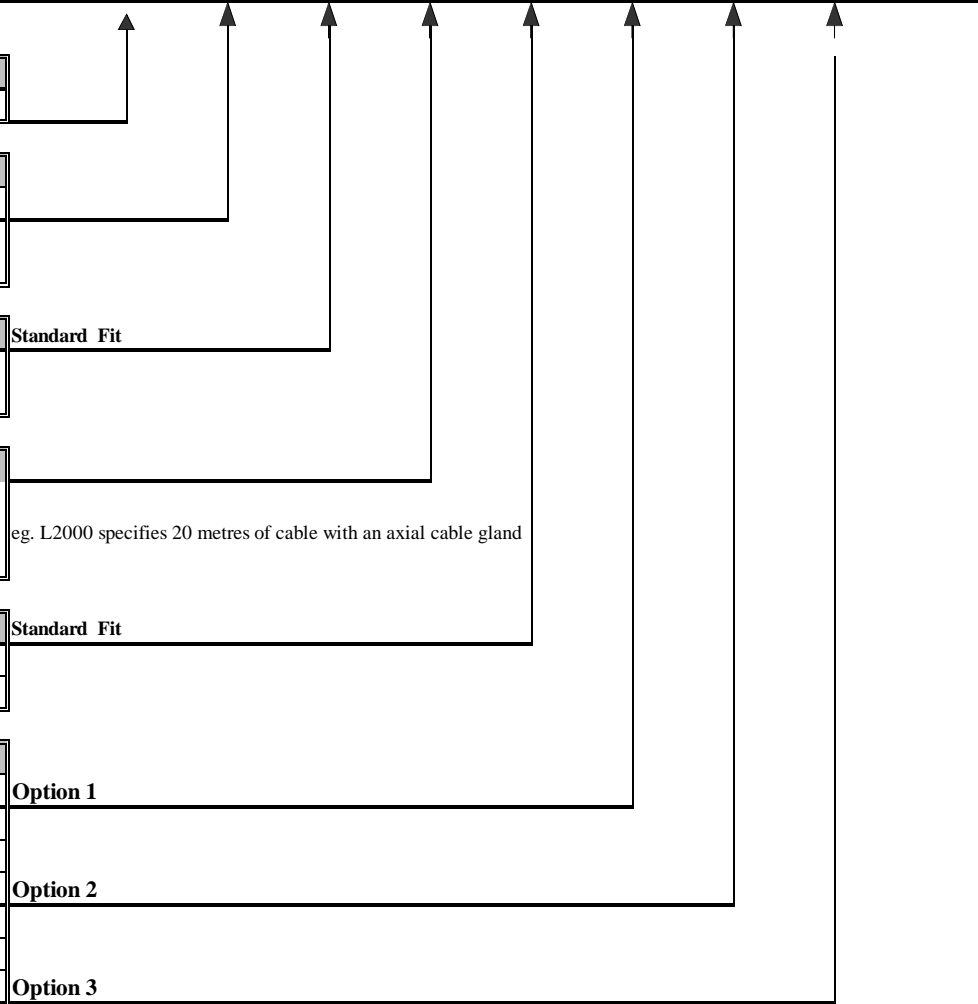
Electrical Interface Options		
Input	Output	
+ 5 V dc	See below	A

Calibration Adjusters	
Sealed Trim Pots	Y

Connector / Cable		
Connector - Axial IP65	Hirschmann GD series	J
Cable - Axial Gland IP67	Please specify cable length in cm.	LXX

Housing	
Front Flange	N

OPTIONS	
Spring Return	
Spring Return	R
Plunger End Fitting	
Dome End	T
Plunger Guide	
Free plunger (no inner guide bearing)	V



eg. L2000 specifies 20 metres of cable with an axial cable gland

Please Note: This sensor *must* be used with a Galvanic Isolation Amplifier - See X005 sheet for Output options.