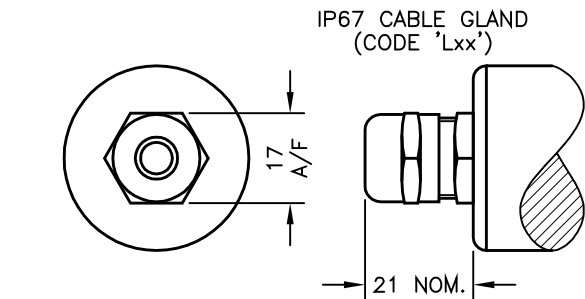
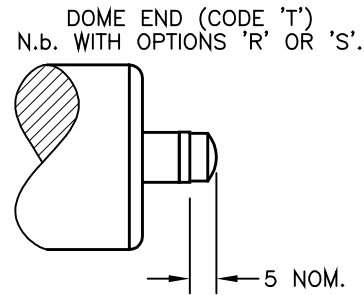
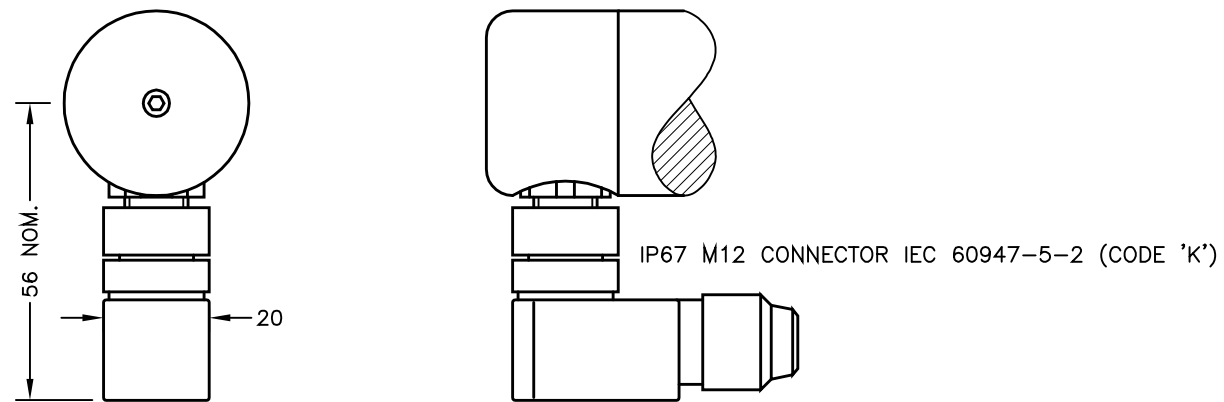
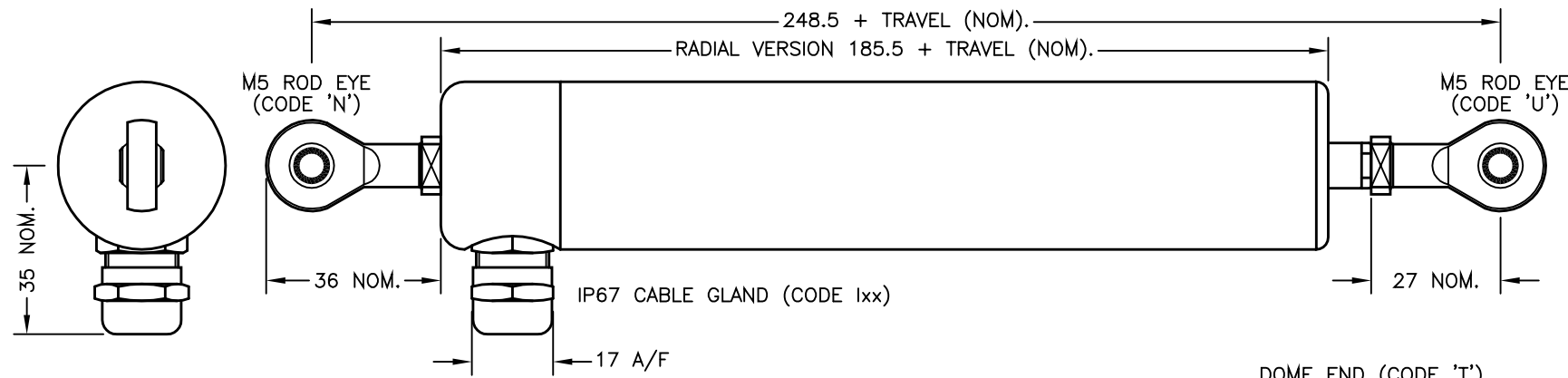
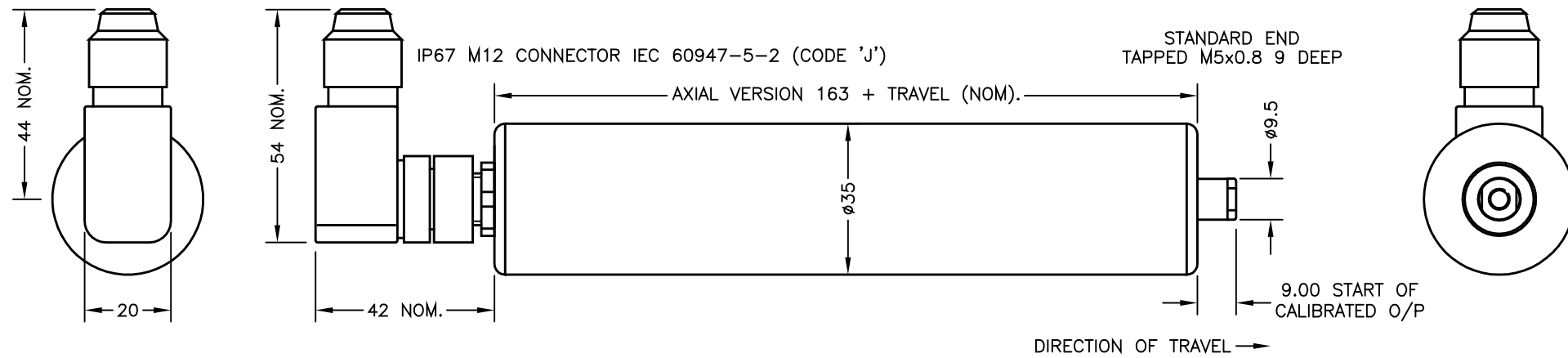


N.b. ROD-EYE ORIENTATION NOT GUARANTIED.



ELECTRICAL OPTIONS/ SPECIFICATIONS

OUTPUT SUPPLY

0.5 TO 4.5V RATIO METRIC 5V
SUPPLY CURRENT 12mA TYP. 20mA MAX.

CABLE LENGTH, OPTIONS 'lxx' OR 'Lxx', ORDERED IN cm,
50cm STANDARD OR AS REQUIRED, 15000cm MAX.

3-CORE SCREENED: 0.2mm², 4mm PUR JACKET

CABLE/CONNECTOR CONNECTIONS*:

3 CORE CONNECTOR

RED :1 +Ve
BLACK :3 0V
WHITE :2 OUTPUT
SCREEN :4 BODY

*CONNECTORS; MAXIMUM CONDUCTOR CROSS SECTION 0.75mm²
RANGE OF DISPLACEMENT FROM 50mm TO 600mm,
IN INCREMENTS OF 1mm.

BODY MATERIAL: STAINLESS STEEL.

FURTHER OPTIONS:

SINGLE PAIR OF BODY CLAMPS 'P'

TWO PAIRS OF BODY CLAMPS 'P2'

SPRING RETURN PUSH-ROD, TRAVEL <250mm

RETURN TO EXTENDED POSITION (CODE R)

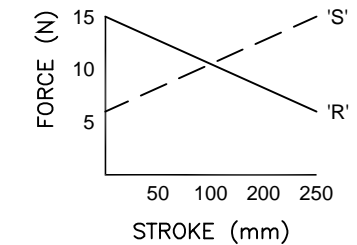
RETURN TO RETRACTED POSITION (CODE S)

PUSH-ROD FREE (CODE 'V') - NOT AVAILABLE WITH
SPRUNG OPTIONS.

NOTE:- READ INSTALLATION SHEET E101-19
FOR FULL INSTRUCTIONS FOR USE.

ATEX APPROVED TO
II 1GD
EEx ia IIC T4 (Ta= -40° to +80°C)
Ex iaD 20 T135°C (Ta= -40° to +80°C)
Ui 11.4V, Ii 0.2A, Pi 0.51W

APPROVED FOR USE IN CONJUNCTION
WITH A GALVANICALLY ISOLATED BARRIER.



SPRING FORCE v STROKE
(OPTION 'R' OR 'S')

THE PUSH-ROD RETRACTS A FURTHER 4mm NOM. FROM START OF CALIBRATED TRAVEL. ON STANDARD VERSIONS THE PUSH-ROD
EXTENDS A FURTHER 8mm NOM. FROM END OF CALIBRATED TRAVEL, OR 3mm FOR SPRUNG 'R' AND 'S' VERSIONS.
'V' CODED PUSH-ROD WILL DEPART SENSOR BODY.

G	ADDITIONAL DIMS/VIEWS ADDED.	PDM

DRAWINGS NOT TO BE CHANGED WITHOUT REFERENCE TO THE CHANGE PROCEDURE.
CHANGES TO PARTS USED IN INTRINSICALLY SAFE PRODUCT MUST BE APPROVED
BY THE AUTHORISED PERSON
THIS IS AN UNCONTROLLED PRINT AND WILL NOT BE UPDATED.



G	05/07/11		CHECKED BY	x ±0.4
			RDS	x.x ±0.2 x.xx ±0.1 DIMS mm
DESCRIPTION				
E101 INTRINSICALLY SAFE STAND ALONE LINEAR POSITION SENSOR				
SCALE 13mm		DRAWING NUMBER E101-11 REV G		
←→		SHEET 1 OF 1		