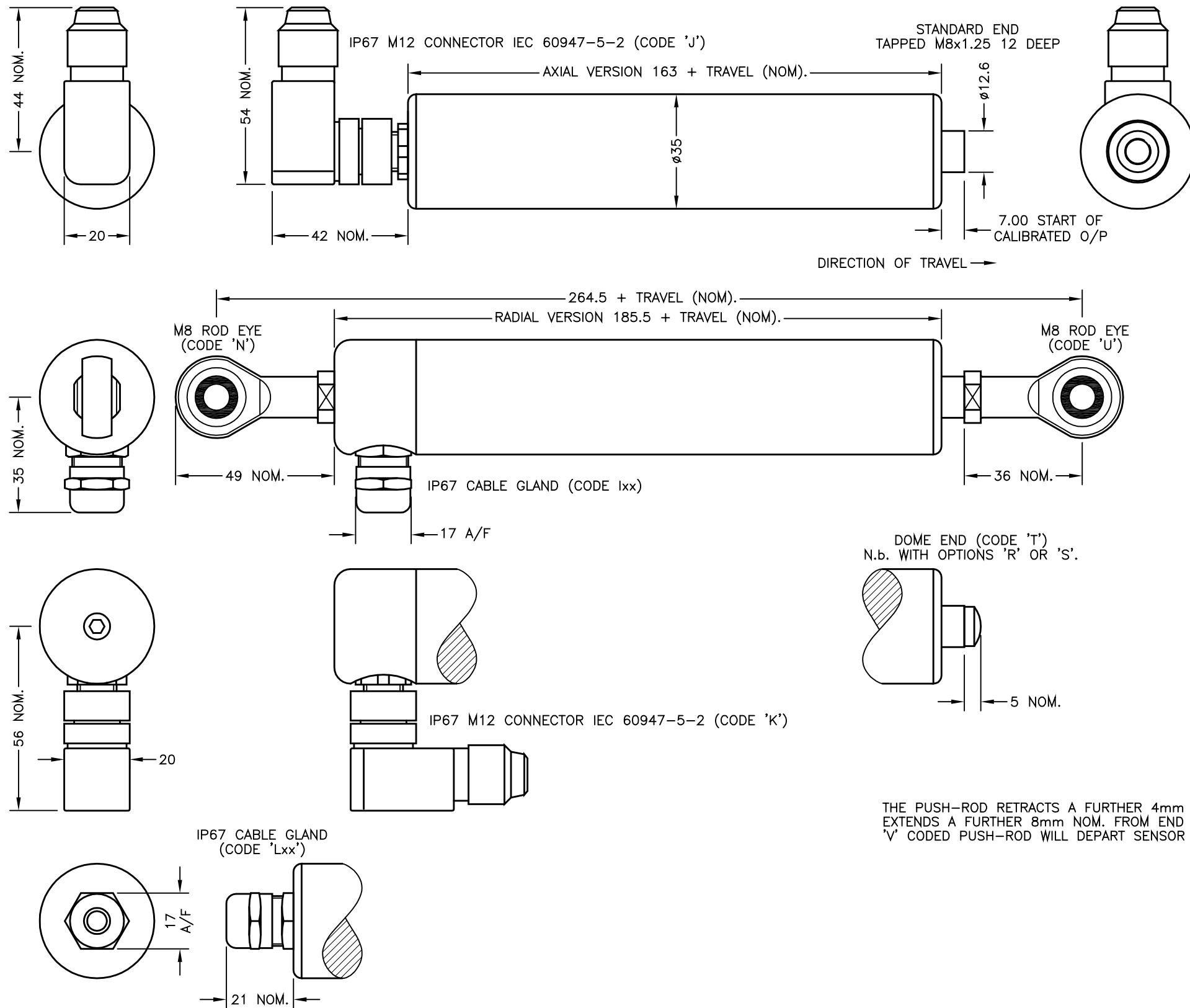


N.b. ROD-EYE ORIENTATION NOT GUARANTIED.



ELECTRICAL OPTIONS/ SPECIFICATIONS

OUTPUT SUPPLY
 0.5 TO 4.5V RATIO METRIC 5V
 SUPPLY CURRENT 12mA TYP. 20mA MAX.

CABLE LENGTH, OPTIONS 'Lxx' OR 'Lxx', ORDERED IN cm,
 50cm STANDARD OR AS REQUIRED, 15000cm MAX.
 3-CORE SCREENED: 0.2mm², $\phi 4$ mm PUR JACKET
 CABLE/CONNECTOR CONNECTIONS*:
 3 CORE CONNECTOR

RED :1 +Ve
 BLACK :3 0V
 WHITE :2 OUTPUT
 SCREEN :4 BODY

*CONNECTORS; MAXIMUM CONDUCTOR CROSS SECTION 0.75mm²
 RANGE OF DISPLACEMENT FROM 50mm TO 600mm,
 IN INCREMENTS OF 1mm.

BODY MATERIAL: STAINLESS STEEL.

FURTHER OPTIONS:

SINGLE PAIR OF BODY CLAMPS 'P'
 TWO PAIRS OF BODY CLAMPS 'P2'

SPRING RETURN PUSH-ROD, TRAVEL <250mm

RETURN TO EXTENDED POSITION (CODE R)

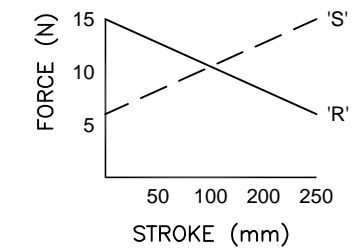
RETURN TO RETRACTED POSITION (CODE S)

PUSH-ROD FREE (CODE 'V') - NOT AVAILABLE WITH SPRUNG OPTIONS.

NOTE:- READ INSTALLATION SHEET M111-19 FOR FULL INSTRUCTIONS FOR USE.

ATEX APPROVED TO	
I/II M1/1GD	
EEx ia I/II C T4 (Ta= -40° to +80°C)	
Ex iaD 20 T135°C (Ta= -40° to +80°C)	
Ui 11.4V, Ii 0.2A, Pi 0.51W	

APPROVED FOR USE IN CONJUNCTION WITH A GALVANICALLY ISOLATED BARRIER.



SPRING FORCE v STROKE (OPTION 'R' OR 'S')

THE PUSH-ROD RETRACTS A FURTHER 4mm NOM. FROM START OF CALIBRATED TRAVEL. ON STANDARD VERSIONS THE PUSH-ROD EXTENDS A FURTHER 8mm NOM. FROM END OF CALIBRATED TRAVEL, OR 3mm FOR SPRUNG 'R' AND 'S' VERSIONS. 'V' CODED PUSH-ROD WILL DEPART SENSOR BODY.

F	Ii 0.2A WAS 0.46A - RAN266	PDM
G	ADDITIONAL DIMS/VIEWS ADDED.	PDM

DRAWINGS NOT TO BE CHANGED WITHOUT REFERENCE TO THE CHANGE PROCEDURE. CHANGES TO PARTS USED IN INTRINSICALLY SAFE PRODUCT MUST BE APPROVED BY THE AUTHORISED PERSON. THIS IS AN UNCONTROLLED PRINT AND WILL NOT BE UPDATED.



F	21/04/10		CHECKED BY	X	±0.4
G	05/07/11		RDS	X.X	±0.2
				X.XX	±0.1
				DIMS	mm
DESCRIPTION					
M111 INTRINSICALLY SAFE					
RUGGED STAND ALONE					
LINEAR POSITION SENSOR					
SCALE		DRAWING NUMBER			
13mm		M111-11			
		REV		G	
SHEET				1 OF 1	