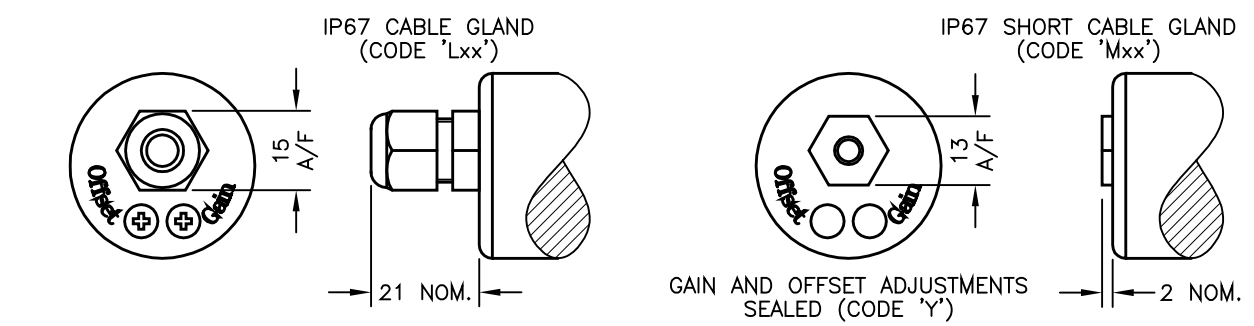
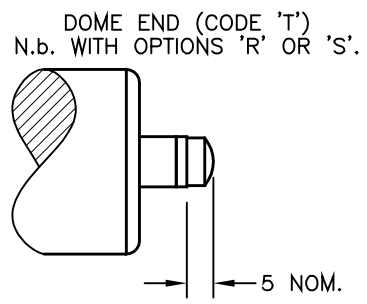
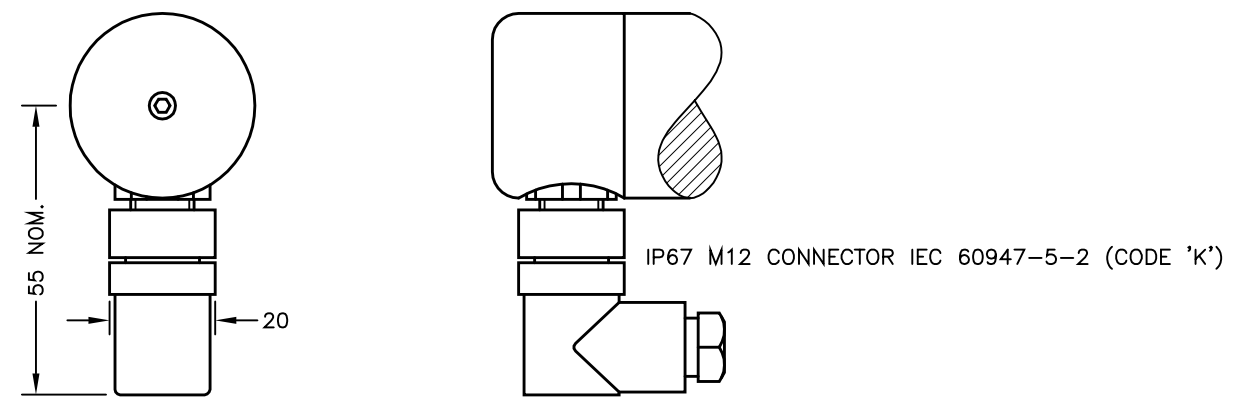
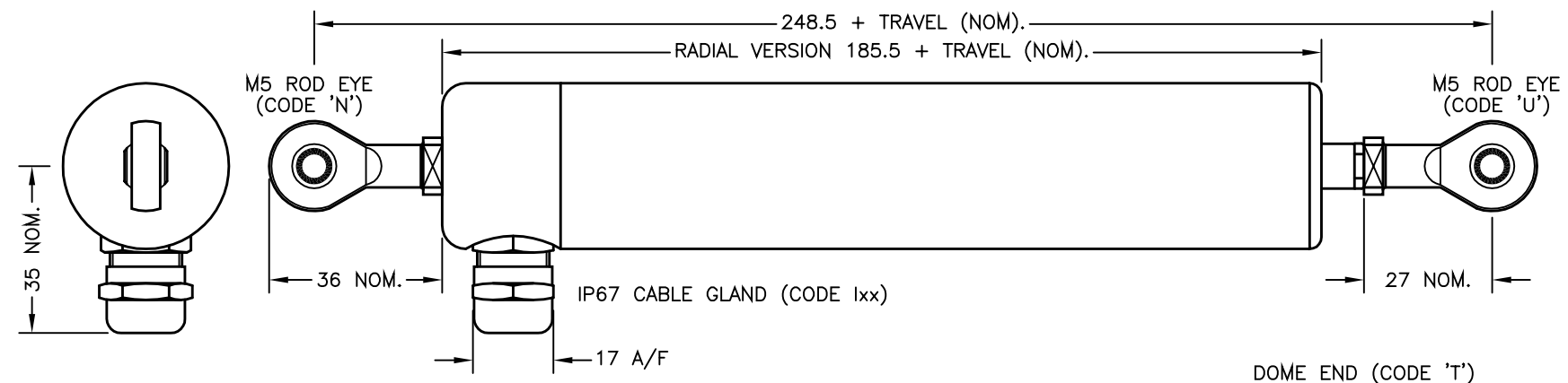
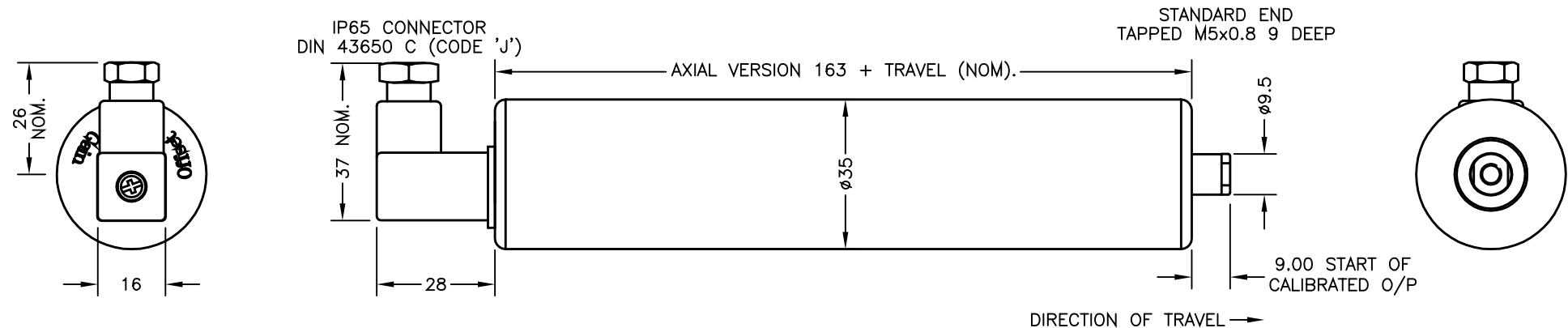


N.b. ROD-EYE ORIENTATION NOT GUARANTIED.



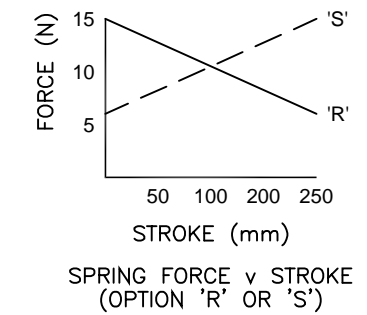
**ELECTRICAL OPTIONS/ SPECIFICATIONS**

OUTPUT OPTION	OUTPUT	SUPPLY	
A	0.5 TO 4.5V RATIOMETRIC	5V	STANDARD
B	±5V	±15V	
C	0.5 TO 9.5V	24V	BUFFERED
D	±10V	±15V	
E	0.5 TO 4.5V	24V	SINK VERSION OUTPUT COMPLIANCE 5-28V SOURCE VERSION DRIVE 300Ω MAX TO 0V
F	SUPPLY CURRENT 12mA TYP. 20mA MAX.	24V	
G	4 TO 20mA 2-WIRE	24V	
H	4 TO 20mA 3-WIRE SINK	24V	
	4 TO 20mA 3-WIRE SOURCE	24V	

CABLE LENGTH, OPTIONS 'lxx', 'Lxx' OR 'Mxx', ORDERED IN cm, 50cm STANDARD OR AS REQUIRED.  
 3-CORE SCREENED: 0.2mm<sup>2</sup>, Ø4mm PUR JACKET  
 4-CORE SCREENED: 0.2mm<sup>2</sup>, Ø4.6mm PUR JACKET  
 CABLE/CONNECTOR CONNECTIONS\*:  
 3 CORE 4 CORE CONNECTOR  
 RED RED :1 +Ve  
 BLACK GREEN :3 0V  
 YELLOW :4 -Ve - OPTIONS: B OR D  
 WHITE BLUE :2 OUTPUT  
 SCREEN SCREEN :4 BODY - OPTIONS: A, C, E-H

\*CONNECTORS; MAXIMUM CONDUCTOR CROSS SECTION 0.75mm<sup>2</sup>  
 RANGE OF DISPLACEMENT FROM 50mm TO 600mm, IN INCREMENTS OF 1mm.  
 BODY MATERIAL: STAINLESS STEEL.  
 FURTHER OPTIONS:  
 SINGLE PAIR OF BODY CLAMPS 'P'  
 TWO PAIRS OF BODY CLAMPS 'P2'  
 SPRING RETURN PUSH-ROD, TRAVEL <250mm  
 RETURN TO EXTENDED POSITION (CODE R)  
 RETURN TO RETRACTED POSITION (CODE S)  
 PUSH-ROD FREE (CODE 'V') - NOT AVAILABLE WITH SPRUNG OPTIONS.

GAIN AND OFFSET ADJUSTMENTS NOT AVAILABLE WITH RADIAL BODY, CODE 'lxx' AND 'k', OPTIONS.



THE PUSH-ROD RETRACTS A FURTHER 4mm NOM. FROM START OF CALIBRATED TRAVEL. ON STANDARD VERSIONS THE PUSH-ROD EXTENDS A FURTHER 8mm NOM. FROM END OF CALIBRATED TRAVEL, OR 3mm FOR SPRUNG 'R' AND 'S' VERSIONS. 'V' CODED PUSH-ROD WILL DEPART SENSOR BODY.

N	DIM BETWEEN ROD-EYES ADDED.	PDM
O	ROD-EYE DIMS CORRECTED - RAN259.	PDM
P	ADDITIONAL DIMS/VIEWS ADDED.	PDM

DRAWINGS NOT TO BE CHANGED WITHOUT REFERENCE TO THE CHANGE PROCEDURE. CHANGES TO PARTS USED IN INTRINSICALLY SAFE PRODUCT MUST BE APPROVED BY THE AUTHORISED PERSON. THIS IS AN UNCONTROLLED PRINT AND WILL NOT BE UPDATED.



N	14/08/08		CHECKED BY	X	±0.4	
O	09/12/09		RDS	X.X	±0.2	
P	05/07/11			X.XX	±0.1	
				DIMS	mm	
		DESCRIPTION				
		P101 LIPS STAND ALONE				
		LINEAR POSITION SENSOR				
		SCALE				
			DRAWING NUMBER	P101-11	REV	
					P	
					SHEET 1 OF 1	