

A	FIRST ISSUE	RDS
B	DRAIN HOLES ADDED.	PDM
C	BODY TUBE LENGTH WAS 207	PDM
D	TRAVEL NOTED ADDED	PDM
E	CONNECTOR OPTION "J" ADDED	RDS
F	NEW ELECTRONICS, RADIAL BODY.	PDM

DRAWINGS NOT TO BE CHANGED WITHOUT REFERENCE TO THE CHANGE PROCEDURE. CHANGES TO PARTS USED IN INTRINSICALLY SAFE PRODUCT MUST BE APPROVED BY THE AUTHORISED PERSON
THIS IS AN UNCONTROLLED PRINT AND WILL NOT BE UPDATED.

ELECTRICAL OPTIONS/ SPECIFICATIONS

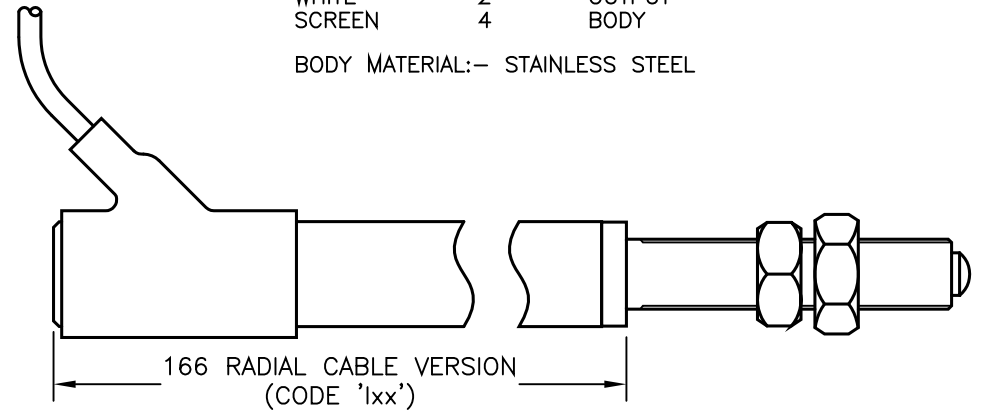
OUTPUT OPTION	A	SUPPLY	STANDARD
	0.5 TO 4.5V RATIOMETRIC	5V	
	0.5 TO 9.5V	24V	} BUFFERED
	0.5 TO 4.5V	24V	
	SUPPLY CURRENT 12mA TYP. 20mA MAX.		

CABLE LENGTH ORDERED IN cm.
3-CORE SCREENED: 0.2mm², Ø4mm PUR JACKET

CABLE/CONNECTOR CONNECTIONS;

3 CORE	CONNECTOR	
RED	1	+Ve
BLACK	3	0V
WHITE	2	OUTPUT
SCREEN	4	BODY

BODY MATERIAL:- STAINLESS STEEL



A	13/12/04		CHECKED BY	X	±0.4
B	04/01/05		RDS	X.X	±0.2
C	14/02/05			X.XX	±0.1
					DIMS mm
D	20/10/06	DESCRIPTION			
E	07/06/07	P112 LIPS GAUGE HEAD			
F	21/04/10	POSITION SENSOR			
SCALE		DRAWING NUMBER		REV	
20mm		P112-11		F	
				SHEET	1 OF 1

