

N.b. ROD-EYE ORIENTATION NOT GUARANTIED.

ELECTRICAL OPTIONS/ SPECIFICATIONS			
OUTPUT OPTION	OUTPUT	SUPPLY	
A	0.5 TO 4.5V RATIO METRIC	5V	STANDARD
C	0.5 TO 9.5V	24V	} BUFFERED
G	0.5 TO 4.5V	24V	
SUPPLY CURRENT 12mA TYP. 20mA MAX.			

CABLE LENGTH, OPTIONS 'lxx' OR 'Lxx', ORDERED IN cm, 50cm STANDARD OR AS REQUIRED.
3-CORE SCREENED: 0.2mm², Ø4mm PUR JACKET

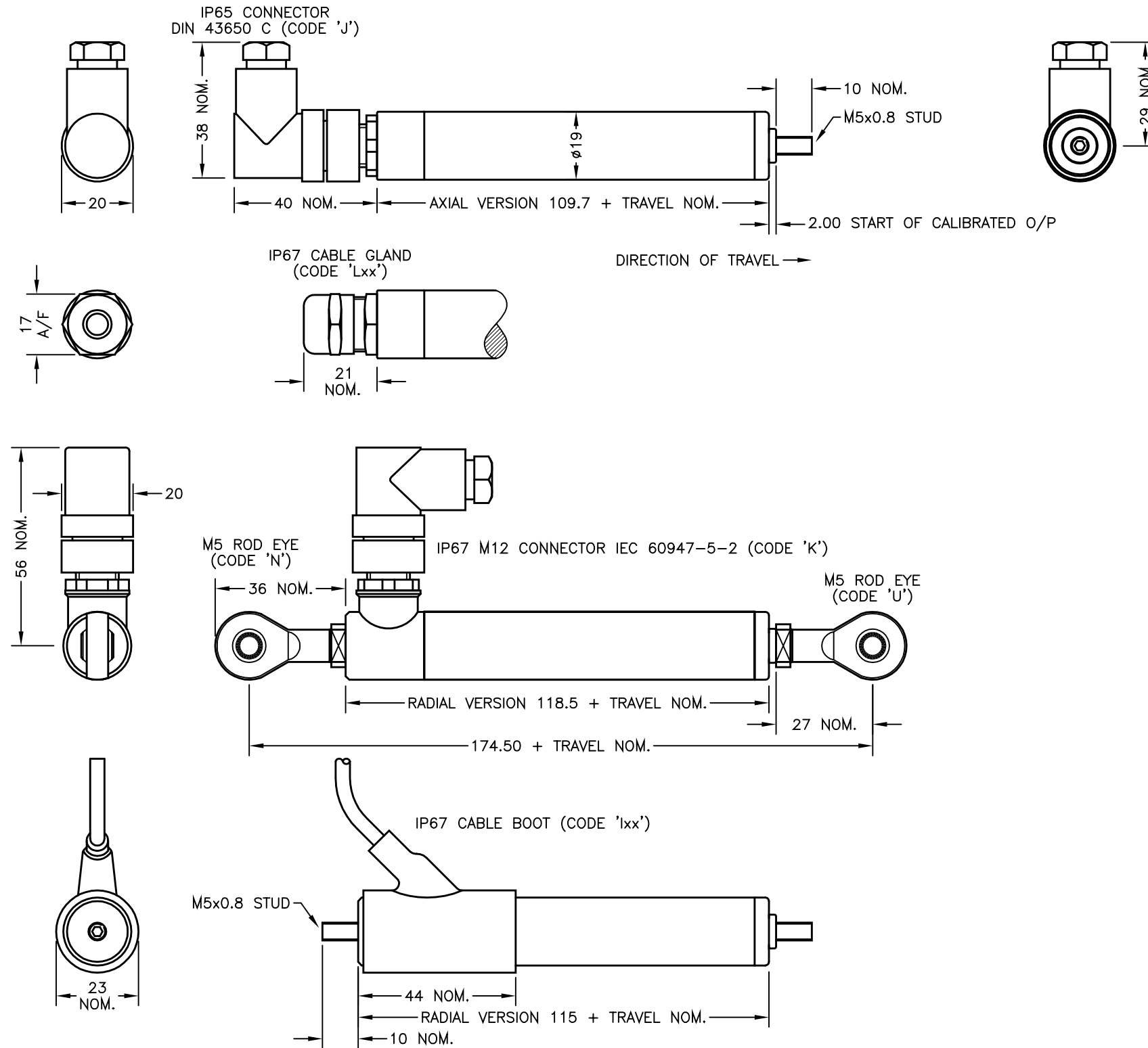
CABLE/CONNECTOR CONNECTIONS*;
3 CORE CONNECTOR

RED	:1	+Ve
BLACK	:3	0V
WHITE	:2	OUTPUT
SCREEN	:4	BODY

*CONNECTORS; MAXIMUM CONDUCTOR CROSS SECTION 0.75mm²
RANGE OF DISPLACEMENT FROM 10mm TO 350mm, IN INCREMENTS OF 1mm.

BODY MATERIAL: STAINLESS STEEL.

FURTHER OPTIONS:
PUSH-ROD FREE (CODE 'V')

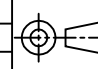


A	FIRST ISSUE	PDM
B	O/P OPTIONS CORRECTED	RDS
C	CONNECTOR OPTIONS ADDED, ROD-EYE DIMS CORRECTED - RAN259	RDS
D	ADDITIONAL DIMS/VIEWS ADDED.	PDM

THE PUSH-ROD RETRACTS AND EXTENDS 2mm NOM. AT EITHER END OF CALIBRATED TRAVEL.
'V' CODED PUSH-ROD WILL DEPART SENSOR BODY.

DRAWINGS NOT TO BE CHANGED WITHOUT REFERENCE TO THE CHANGE PROCEDURE.
CHANGES TO PARTS USED IN INTRINSICALLY SAFE PRODUCT MUST BE APPROVED BY THE AUTHORISED PERSON
THIS IS AN UNCONTROLLED PRINT AND WILL NOT BE UPDATED.

POSITEK
P
LIMITED

A	20/5/09	 CHECKED BY X RDS	X	±0.4
B	26/8/09		X.X	±0.2
C	09/12/09		X.XX	±0.1
D	06/07/11	DESCRIPTION		
		P117 LIPS SLIM-LINE LINEAR POSITION SENSOR		
SCALE	1:3mm	DRAWING NUMBER	P117-11	REV D
				SHEET 1 OF 1