

N.b. CONNECTOR ORIENTATION NOT GUARANTIED.

ELECTRICAL OPTIONS/ SPECIFICATIONS

OUTPUT OPTION	OUTPUT	SUPPLY	
A	0.5 TO 4.5V RATIO METRIC	5V	STANDARD
B	±5V	±15V	
C	0.5 TO 9.5V	24V	BUFFERED
D	±10V	±15V	
G	0.5 TO 4.5V	24V	
E	SUPPLY CURRENT 12mA TYP. 20mA MAX.	24V	
F	4 TO 20mA 2-WIRE	24V	
H	4 TO 20mA 3-WIRE SINK	24V	
	4 TO 20mA 3-WIRE SOURCE	24V	

SINK VERSION OUTPUT COMPLIANCE 5-28V
SOURCE VERSION DRIVE 300Ω MAX TO 0V

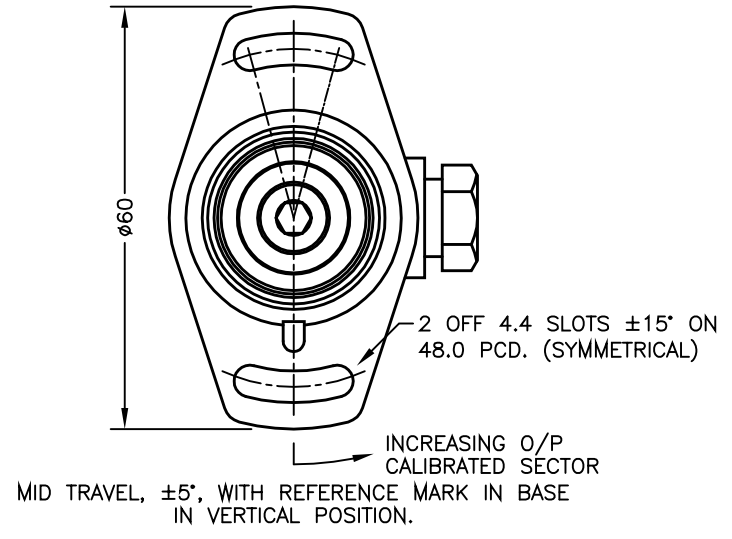
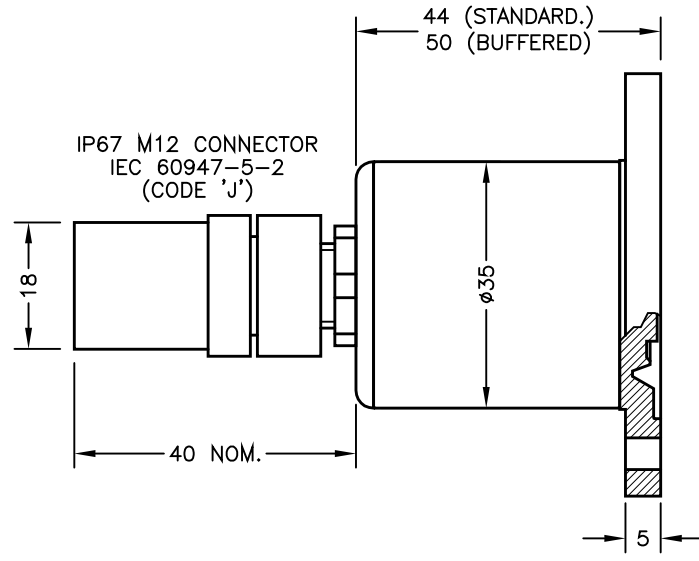
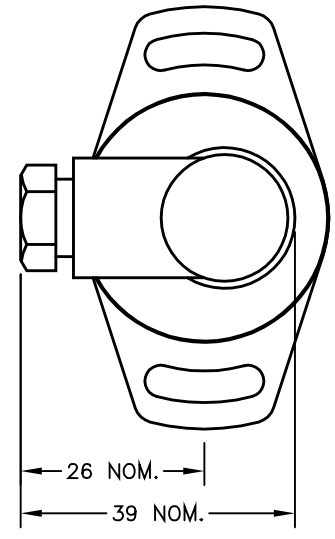
CONNECTOR (MAXIMUM CONDUCTOR CROSS SECTION 0.75mm²)

- :1 +Ve
- :3 0V
- :4 -Ve - OPTIONS: B OR D
- :2 OUTPUT
- :4 BODY - OPTIONS: A, C, E-H

RANGE OF DISPLACEMENT FROM 20° TO 160°, IN INCREMENTS OF 1°.

BODY MATERIAL:- STAINLESS STEEL.
FLANGE BASE MATERIAL:- ALUMINIUM.

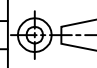
NOTE; GAIN AND OFFSET ADJUSTMENTS SEALED



A	FIRST ISSUE	RDS
B	NOTES EXPANDED.	PDM
C	FLANGE TH'KNES ADDDED.	PDM
D	ADDITIONAL DIMS/VIEWS ADDED.	PDM

DRAWINGS NOT TO BE CHANGED WITHOUT REFERENCE TO THE CHANGE PROCEDURE. CHANGES TO PARTS USED IN INTRINSICALLY SAFE PRODUCT MUST BE APPROVED BY THE AUTHORISED PERSON
THIS IS AN UNCONTROLLED PRINT AND WILL NOT BE UPDATED.



A	27/10/03	 CHECKED BY X ±0.4 X.X ±0.2 X.XX ±0.1 DIMS mm
B	19/10/06	
C	05/01/10	
D	06/07/11	
DESCRIPTION		TIPS P603 LARGE ANGLE TILT SENSOR
SCALE 10mm		
DRAWING NUMBER P603-11		REV D
SHEET 1 OF 1		