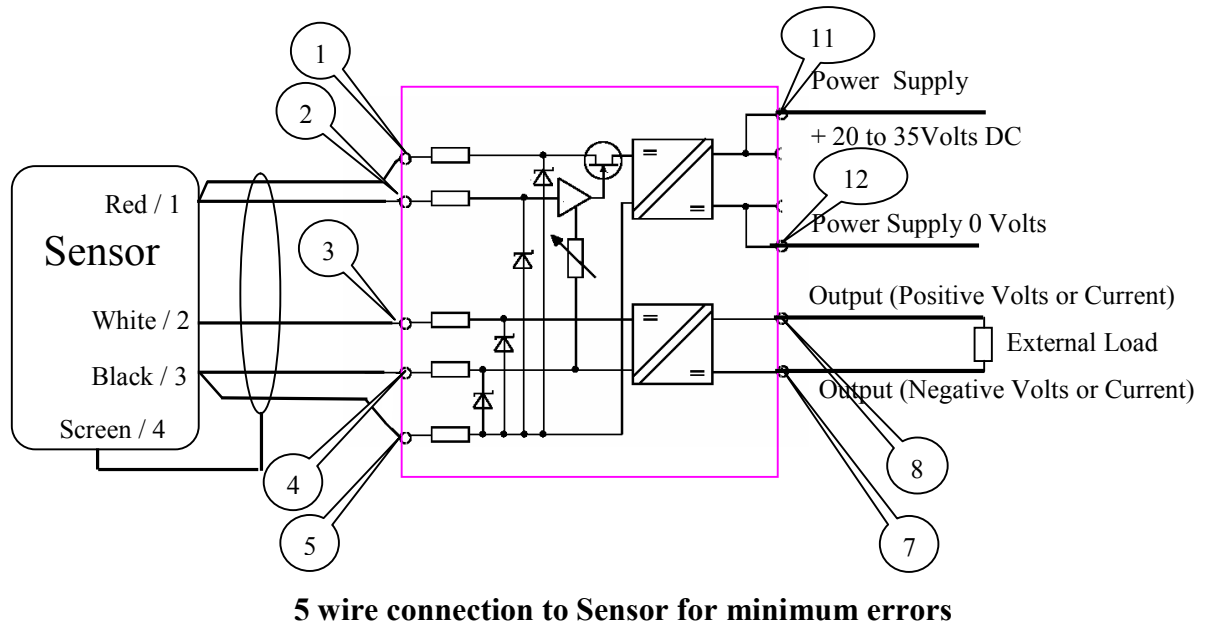
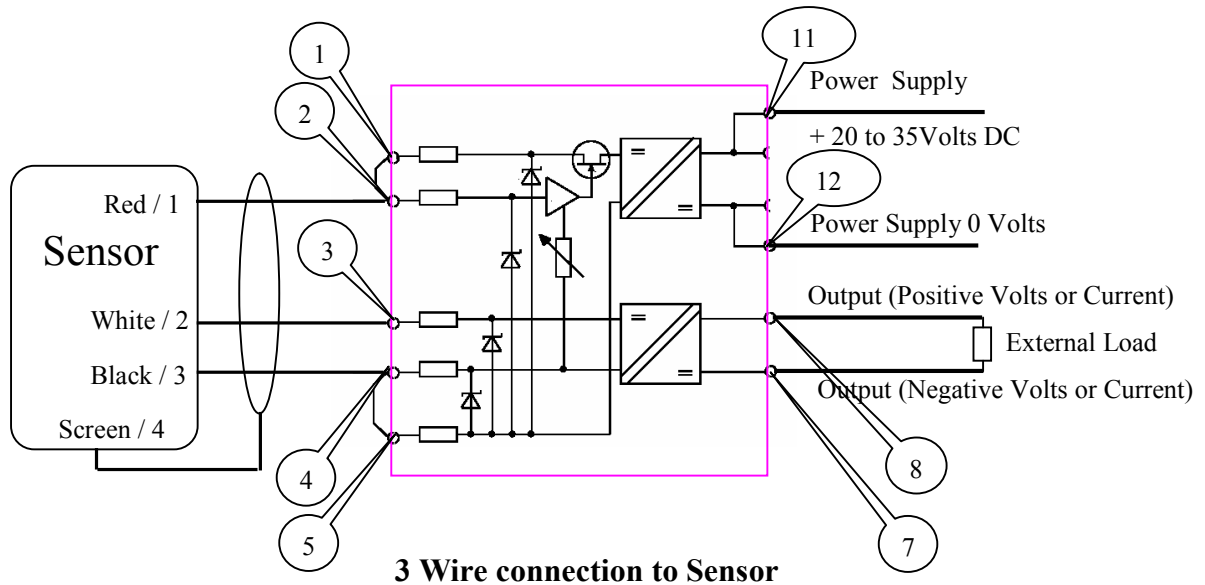


Connections for Pepperl and Fuchs Barriers with Positek Intrinsically Safe Position Sensors



Note:- The barrier provides isolation between the 3 ports. ie there is no connection between the Power, signal and sensor ports.



Andoversford Industrial Estate
 Cheltenham GL54 4LB UK
 Tel +44 (0)1242 820027
 Fax :+44 (0)1242 820615
 REGISTERED IN ENGLAND NUMBER: 2746707