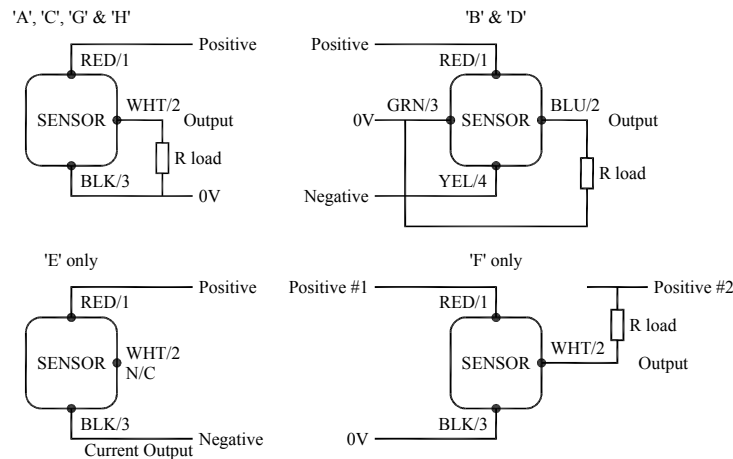


# Installation Information

## Sensor Connections

Electronics Option	Output Description:	Supply Voltage: (Vs)	Output:	Load resistance: (include leads for 4 to 20mA O/Ps)	Load connected to:
<b>A</b>	Voltage (ratiometric with supply)	5±0.5V	0.5 to 4.5V	2kΩ min	0V
<b>B</b>	Voltage	± 9 to 28V	± 5V	2kΩ min	0V
<b>C</b>	Voltage	13 to 28V	0.5 to 9.5V	5kΩ min	0V
<b>D</b>	Voltage	± 13 to 28V	± 10V	5kΩ min	0V
<b>E</b>	2 wire Current Loop	18 to 28V	4 to 20mA	$R_L = V_s - 18/20\text{mA}$ 300Ω @ 24V	In supply lead
<b>F</b>	3 wire Current Loop - Sink	13 to 28V	4 to 20mA	$R_L = V_s - 5/20\text{mA}$ 950Ω @ 24V	Vs
<b>G</b>	Voltage	9 to 28V	0.5 to 4.5V	2kΩ min	0V
<b>H</b>	3 wire Current Loop - Source	13 to 28V	4 to 20mA	300Ω max	0V

Conconnector - option J or K	Cable - option I, L or M		Electronics Option									
			A	B *		C	D *		E	F#	G	H
Pin N°	3-Core*	4-Core*	All	J or K	I, L or M	All	J or K	I, L or M	All	All	All	All
<b>1</b>	<b>Red</b>	<b>Red</b>	+5V	+15V	+15V	+24V	+15V	+15V	+24V	+24V	+24V	+24V
<b>2</b>	<b>White</b>	<b>Blue</b>	O/P	O/P	O/P	O/P	O/P	O/P	N/C	O/P	O/P	O/P
<b>3</b>	<b>Black</b>	<b>Green</b>	0V	0V	0V	0V	0V	0V	0V	0V	0V	0V
		<b>Yellow</b>	-	-	-15V	-	-	-15V	-	-	-	-
<b>4</b>	<b>Screen</b>	<b>Screen</b>	Body	-15V	Body	Body	-15V	Body	Body	Body	Body	Body



\* Sensors with the cable and output options **B** or **D** come with 4-core cable, all other output options have 3-core cable.

# Output option **F**; the load may be returned to any positive voltage, up to 28 volts maximum, provided the voltage at the output pin is greater than 5 volts at all times.

### Incorrect Connection Protection levels:-

- A** **Not protected** – the sensor is **not** protected against either reverse polarity or over-voltage. The risk of damage should be minimal where the supply current is limited to less than 50mA.
- B & D** Supply leads diode protected. Output must not be taken outside ± 12V.
- C & G** Supply leads diode protected. Output must not be taken outside 0 to 12V.
- E, F & H** Protected against any misconnection within the rated voltage.



For further information please contact:

www.positek.com sales@positek.com

Tel: +44(0)1242 820027 fax: +44(0)1242 820615

Positek Ltd, Andoversford Industrial Estate, Cheltenham GL54 4LB. U.K.