

ELECTRICAL OPTIONS/ SPECIFICATIONS

OUTPUT SUPPLY

0.5 TO 4.5V RATIOMETRIC 5V
 SUPPLY CURRENT 12mA TYP. 20mA MAX.

CABLE: 0.2mm², O/A SCREEN, PUR JACKET – SUPPLIED WITH 50cm OR REQUIRED LENGTH IN cm (15000cm MAX).
 STANDARD 3-CORE: JACKET ø4mm BLACK e.g. 'L50'
 OPTIONAL 5-CORE: JACKET ø4.6mm BLUE e.g. 'LQ50'

CABLE/CONNECTOR* CONNECTIONS;

3 CORE	5 CORE	CONNECTOR	
RED	RED	:1	+Ve
-	ORG	:1	+SENSE (5-WIRE ONLY)
BLACK	BLACK	:3	0V
-	GRY	:3	-SENSE (5-WIRE ONLY)
WHITE	WHITE	:2	OUTPUT
SCREEN	SCREEN	:4	BODY

*CONNECTORS; MAXIMUM CONDUCTOR CROSS SECTION 0.75mm²

RANGE OF DISPLACEMENT FROM 0-5mm TO 0-800mm e.g.76, IN INCREMENTS OF 1mm.

BODY MATERIAL: STAINLESS STEEL.

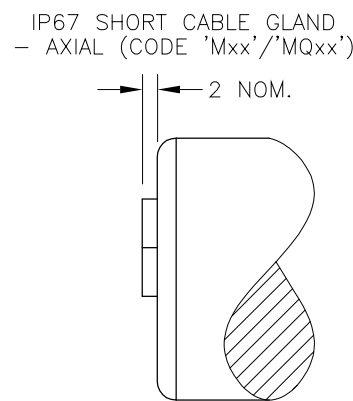
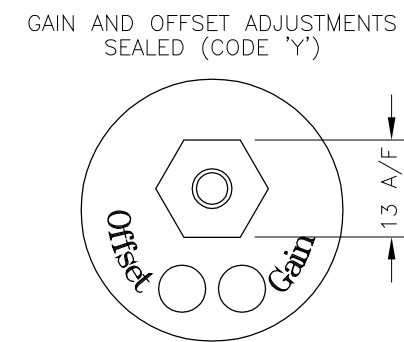
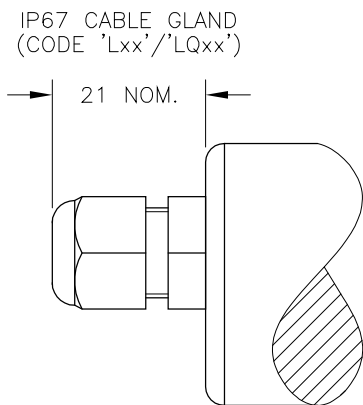
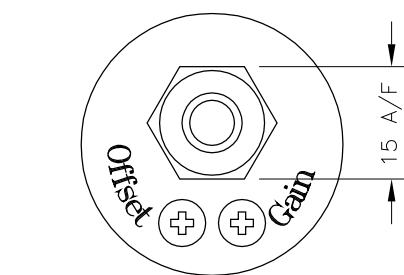
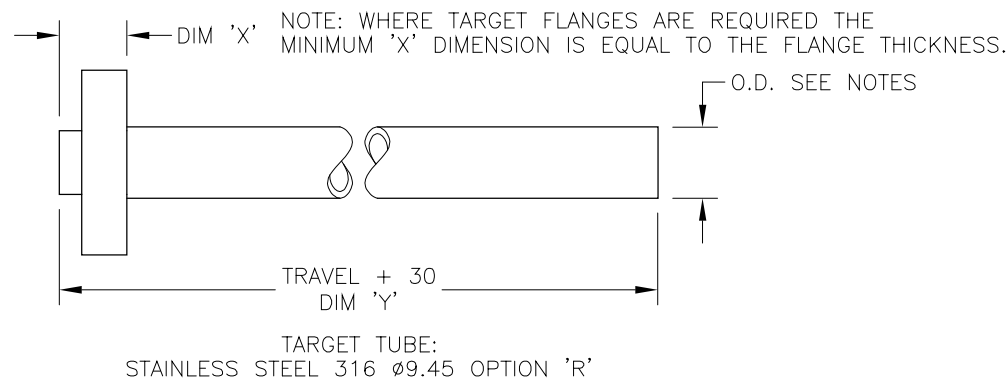
NOTE:- READ INSTALLATION SHEET G000-19 FOR FULL INSTRUCTIONS FOR USE.

CSA APPROVED TO
 Class I Zone 0
 Ex/AEx ia IIC T4 (Ta= -40 to 80°C)
 Ui 11.4V, Ii 0.2A, Pi 0.51W

APPROVED FOR USE IN CONJUNCTION WITH A GALVANICALLY ISOLATED BARRIER.

NOTE: APPROVAL ONLY APPLIES AT NORMAL ATMOSPHERIC PRESSURE!

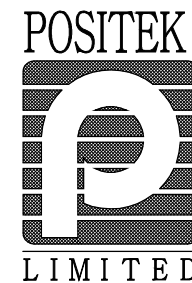
OPTION 'W' FLANGE ILLUSTRATED; SEE TG24-11 FOR DETAILS TO SPECIFY TARGET TUBES.
 SEE P100-12 FOR DETAILS TYPICAL TARGET TUBE MOUNTING ARRANGEMENTS



A	FIRST ISSUE.	PDM
B	OPTION 'S' REMOVED - RAN1035.	PDM
C	RANGE WAS 20-600 RAN1056	RDS
D	TARGET NOTES AMENDED ~ RAN1114	PDM
E	5-CORE OPTION ADDED ~ RAN1102	PDM
F	RANGE NOTE AMENDED ~ RAN1200	PDM
G	HEX. LENGTH 14 WAS 15 ~ RAN1160	PDM



DRAWINGS NOT TO BE CHANGED WITHOUT REFERENCE TO THE CHANGE PROCEDURE.
 CHANGES TO PARTS USED IN INTRINSICALLY SAFE PRODUCT MUST BE APPROVED BY THE AUTHORISED PERSON
 THIS IS AN UNCONTROLLED PRINT AND WILL NOT BE UPDATED.



A	07/03/13	 CHECKED BY RDS	X ±0.4
B	29/06/15		X.X ±0.2
C	9/11/15		X.XX ±0.1
D	18/10/16	DESCRIPTION	DIMS mm
E	06/04/17	G100 INTRINSICALLY SAFE CYLINDER LINEAR POSITION SENSOR	
F	29/08/17		
G	11/10/17		
SCALE 10mm		DRAWING NUMBER G100-11	REV G
		SHEET 1 OF 1	