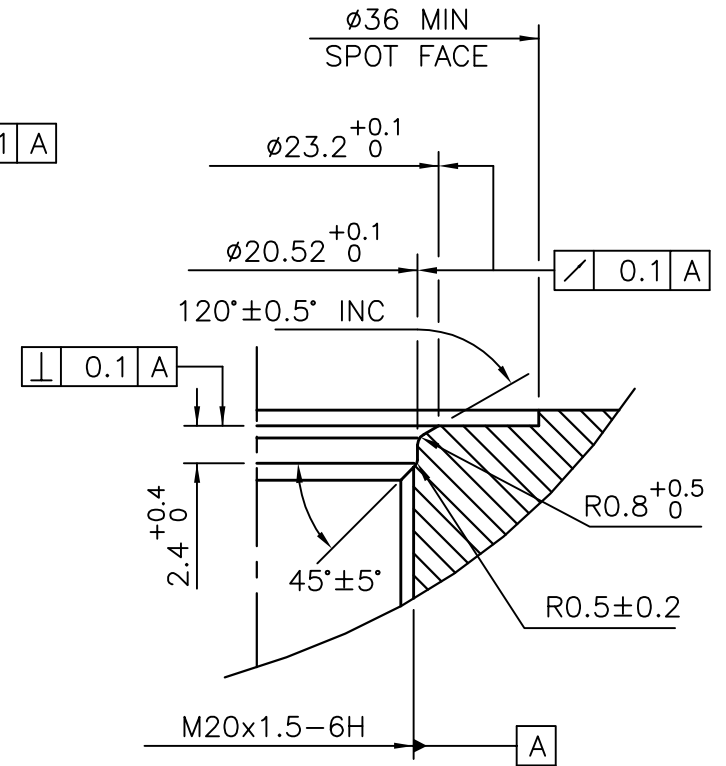
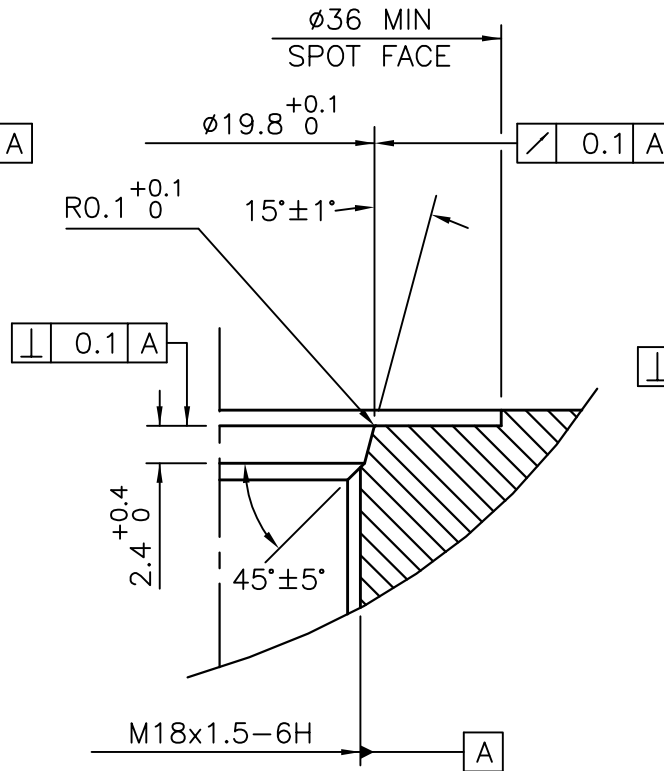
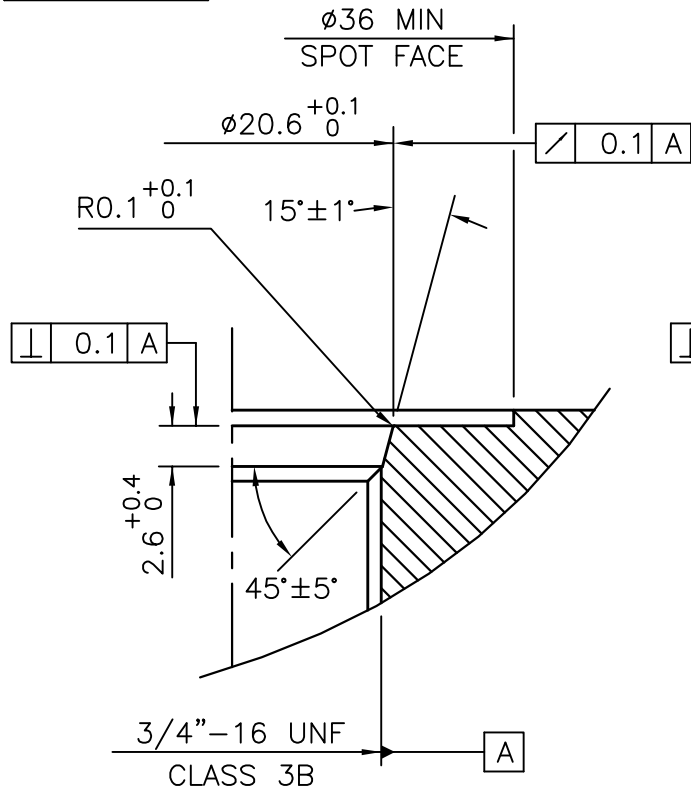


CHECKED AT REV. **A**

RDS

DRAWING NOT TO BE CHANGED WITHOUT REFERENCE TO THE CHANGE PROCEDURE.
 CHANGES TO PARTS USED IN INTRINSICALLY SAFE PRODUCT MUST BE APPROVED
 BY THE AUTHORISED PERSON
THIS IS AN UNCONTROLLED PRINT AND WILL NOT BE UPDATED



A	FIRST ISSUE	COH/DS
---	-------------	--------



A	29/01/95	MATERIAL SEE NOTE 1	X ±0.4 X.X ±0.2 X.XX ±0.1 ALL DIMS mm
DESCRIPTION		INSTALLATION DETAILS MOUNTING THREADS & SEALS	
SCALE	DRAWING NUMBER	P100-15 REV A	
5mm		SHEET 1 OF 1	