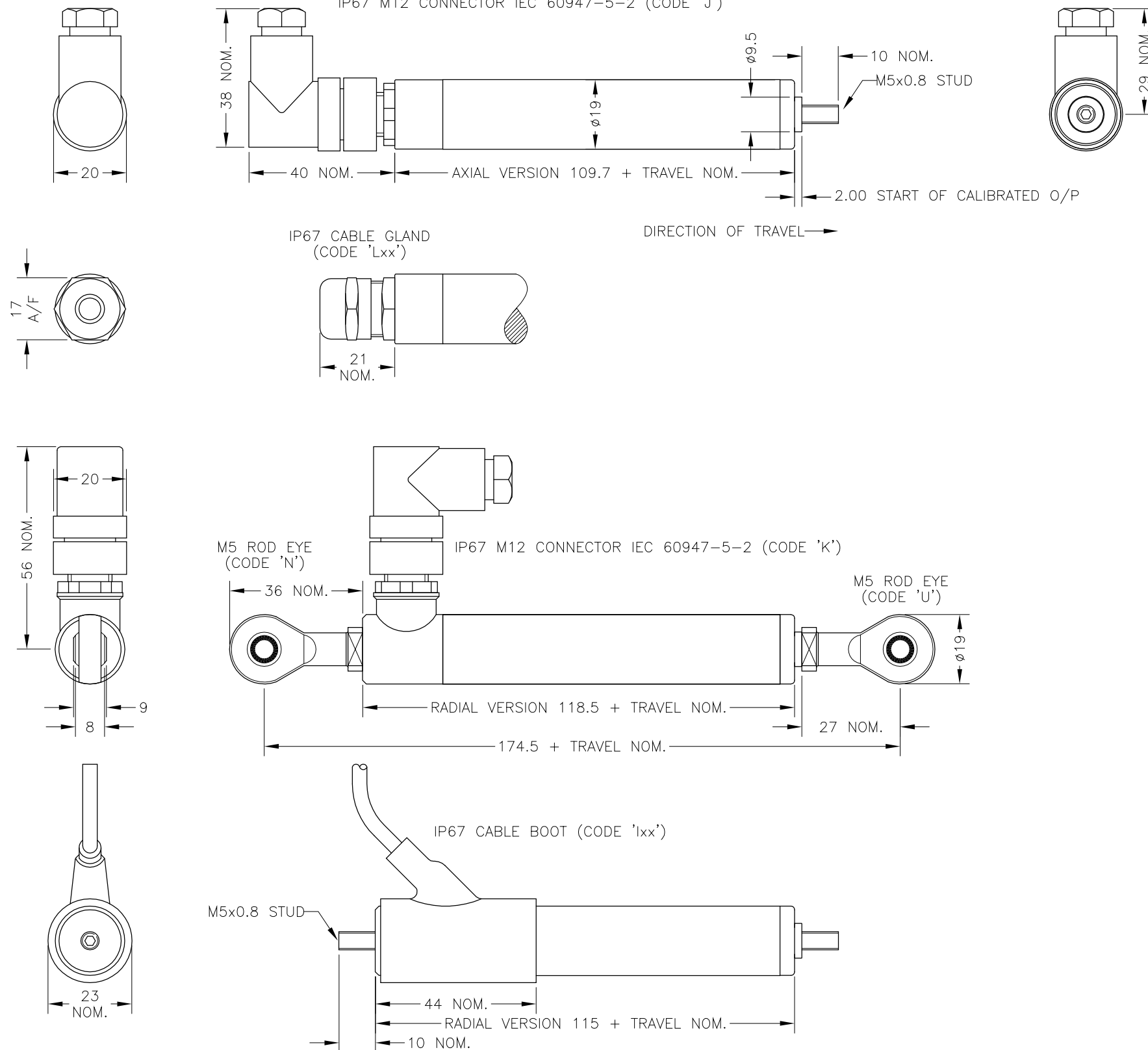


N.B. ROD-EYE ORIENTATION NOT GUARANTEED.



OUTPUT OPTION	ELECTRICAL OPTIONS/ SPECIFICATIONS		
	OUTPUT	SUPPLY	
A	0.5 TO 4.5V RATIOMETRIC	5V	STANDARD } BUFFERED
C	0.5 TO 9.5V	24V	
G	0.5 TO 4.5V	24V	
H	4 TO 20mA	24V	

SUPPLY CURRENT 12mA TYP. 20mA MAX. PLUS O/P CURRENT
 CABLE: 0.2mm², O/A SCREEN, PUR JACKET - SUPPLIED WITH 50cm OR REQUIRED LENGTH IN cm. e.g. 'L50'
 3-CORE: JACKET 4mm

CABLE/CONNECTOR* CONNECTIONS;
 3 CORE CONNECTOR
 RED :1 +Ve
 BLACK :3 0V
 WHITE :2 OUTPUT
 SCREEN :4 BODY

*CONNECTORS; MAXIMUM CONDUCTOR CROSS SECTION 0.75mm²
 RANGE OF DISPLACEMENT FROM 0-5mm TO 0-350mm e.g.76, IN INCREMENTS OF 1mm.

BODY MATERIAL: STAINLESS STEEL.

FURTHER OPTIONS:

SINGLE PAIR OF BODY CLAMPS 'P'
 TWO PAIRS OF BODY CLAMPS 'P2'

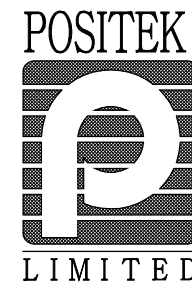
PUSH-ROD FREE (CODE 'V')

D	ADDITIONAL DIMS/VIEWS ADDED.	PDM
E	OPTION J IP67 CONN.	PDM
F	BODY CLAMP OPTIONS ADDED - RAN505.	PDM
G	RANGE WAS 10-350mm RAN1056	RDS
H	PUSH-ROD DIA. ADDED ~ RAN1083	PDM
J	RANGE NOTE AMENDED ~ RAN1200	PDM
K	4 TO 20mA ADDED RAN1256	RDS



THE PUSH-ROD RETRACTS AND EXTENDS 2mm NOM. AT EITHER END OF CALIBRATED TRAVEL.
 'V' CODED PUSH-ROD WILL DEPART SENSOR BODY.

DRAWINGS NOT TO BE CHANGED WITHOUT REFERENCE TO THE CHANGE PROCEDURE.
 CHANGES TO PARTS USED IN INTRINSICALLY SAFE PRODUCT MUST BE APPROVED BY THE AUTHORISED PERSON
 THIS IS AN UNCONTROLLED PRINT AND WILL NOT BE UPDATED.



D	06/07/11	CHECKED BY RDS	X ±0.4
E	04/05/12		X.X ±0.2
F	25/07/14		X.XX ±0.1
DIMENSIONS IN mm			
G	9/11/15	DESCRIPTION	
H	13/04/16	P117 LIPS SLIM-LINE	
J	06/09/17	LINEAR POSITION SENSOR	
K	06/09/18		
SCALE 12.5mm		DRAWING NUMBER P117-11	REV K
		SHEET 1 OF 1	