

ELECTRICAL OPTIONS/ SPECIFICATIONS

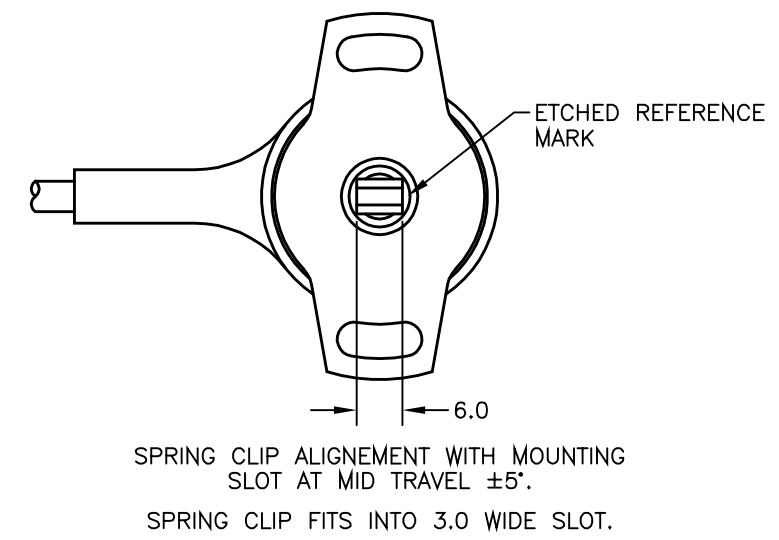
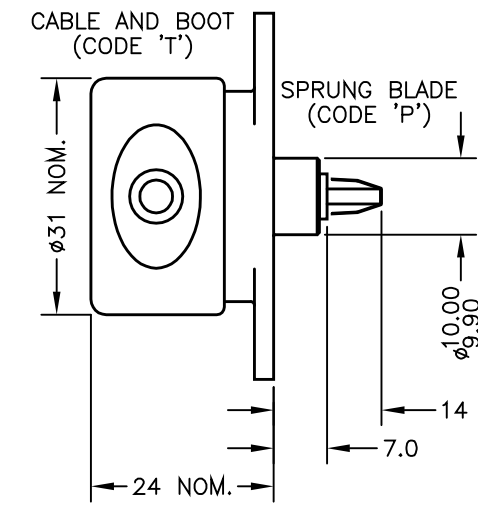
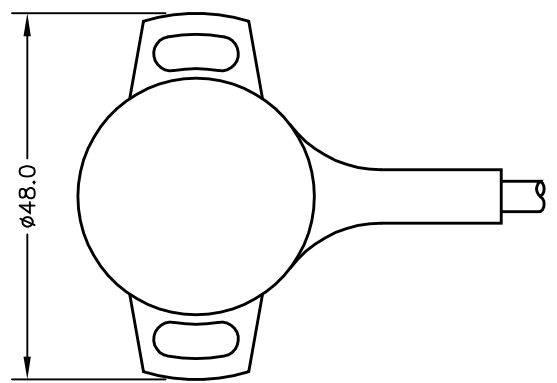
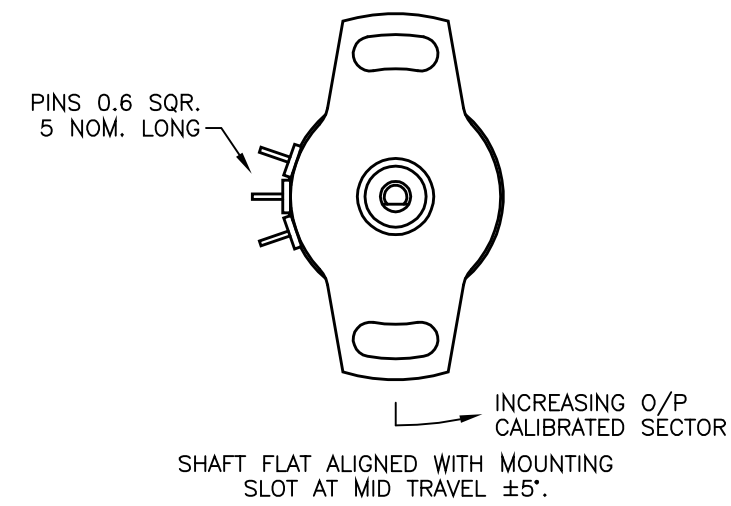
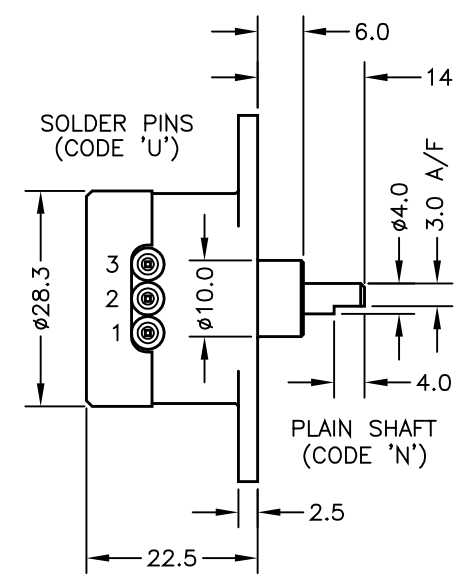
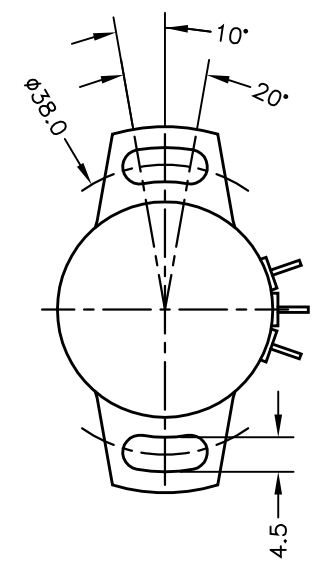
OUTPUT SUPPLY  
 CODE 'A' 0.5 TO 4.5V RATIO METRIC 5V  
 SUPPLY CURRENT 12mA TYP. 20mA MAX.

CABLE: 3 CORE 0.2mm<sup>2</sup>, O/A SCREEN, Ø4mm PUR JACKET  
 - SUPPLIED WITH 50cm OR REQUIRED LENGTH IN cm.  
 e.g. 'L50'

CONNECTIONS:  
 3 CORE PINS  
 RED '1' +Ve  
 BLACK '2' 0V  
 WHITE '3' OUTPUT  
 SCREEN BODY

RANGE OF DISPLACEMENT FROM 0-30° TO 0-140° e.g. 76°,  
 IN INCREMENTS OF 1°.

BODY MATERIAL:- ALUMINIUM ALLOY.

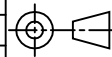
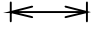


|   |                              |     |
|---|------------------------------|-----|
| H | REDRAWN                      | PDM |
| I | BOSS Ø10.00 ADDED            | PDM |
| J | ADDITIONAL DIMS/VIEWS ADDED. | PDM |
| K | RANGE NOTE AMENDED ~ RAN1200 | PDM |



DRAWINGS NOT TO BE CHANGED WITHOUT REFERENCE TO THE CHANGE PROCEDURE.  
 CHANGES TO PARTS USED IN INTRINSICALLY SAFE PRODUCT MUST BE APPROVED  
 BY THE AUTHORISED PERSON  
 THIS IS AN UNCONTROLLED PRINT AND WILL NOT BE UPDATED.



|   |          |   |
|---|----------|---|
| H   | 19/10/06 |  CHECKED BY X ±0.4<br>RDS X.X ±0.2<br>X.XX ±0.1<br>DIMS mm |
| I   | 15/01/09 |   |
| J   | 06/07/11 |   |
| K   | 11/09/17 |   |
| DESCRIPTION   |          | P501 RIPS MINIATURE<br>ROTARY SENSOR  |
| SCALE   |          |   |
| 10mm  |          | DRAWING NUMBER P501-11 REV K  |
|  |          | SHEET 1 OF 1  |