

N.b. CONNECTOR ORIENTATION NOT GUARANEED.

ELECTRICAL OPTIONS/ SPECIFICATIONS

OUTPUT OPTION	OUTPUT	SUPPLY	
A	0.5 TO 4.5V RATIO METRIC	5V	STANDARD
B	±5V	±15V	
C	0.5 TO 9.5V	24V	BUFFERED
D	±10V	±15V	
G	0.5 TO 4.5V	24V	
E	SUPPLY CURRENT 12mA TYP. 20mA MAX.	24V	
F	4 TO 20mA 2-WIRE	24V	
H	4 TO 20mA 3-WIRE SINK	24V	
	4 TO 20mA 3-WIRE SOURCE	24V	

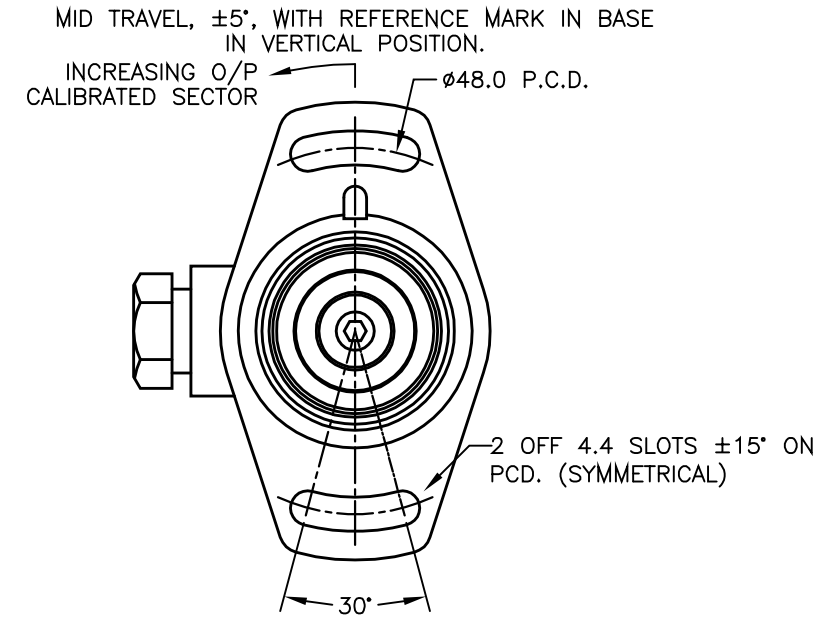
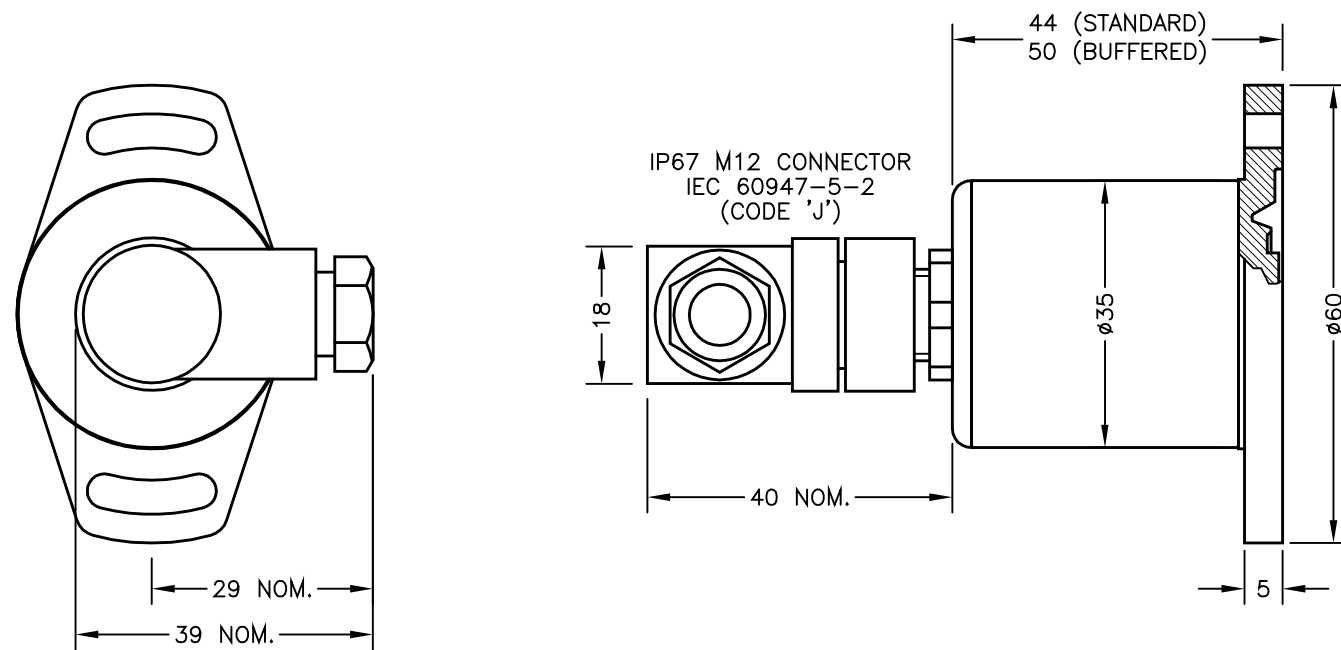
SINK VERSION OUTPUT COMPLIANCE 5-28V
SOURCE VERSION DRIVE 300Ω MAX TO 0V

CONNECTOR (MAXIMUM CONDUCTOR CROSS SECTION 0.75mm²)

- :1 +Ve
- :3 0V
- :4 -Ve - OPTIONS: B OR D
- :2 OUTPUT
- :4 BODY - OPTIONS: A, C, E-H

RANGE OF DISPLACEMENT FROM 0-15° TO 0-160° e.g.76°, IN INCREMENTS OF 1°.

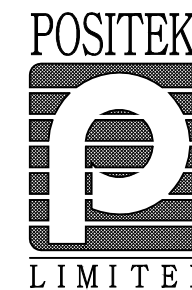
BODY MATERIAL:- STAINLESS STEEL.
FLANGE BASE MATERIAL:- ALUMINIUM.

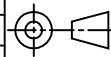
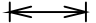


A	FIRST ISSUE	RDS
B	NOTES EXPANDED.	PDM
C	FLANGE TH'KNNESS ADDED.	PDM
D	ADDITIONAL DIMS/VIEWS ADDED.	PDM
E	DISP. 15 TO 160° WAS 20 TO 160° RAN442.	PDM
F	REGISTRATION MARK CORRECTED RAN490.	PDM
G	RANGE NOTE AMENDED ~ RAN1200	PDM



DRAWINGS NOT TO BE CHANGED WITHOUT REFERENCE TO THE CHANGE PROCEDURE.
CHANGES TO PARTS USED IN INTRINSICALLY SAFE PRODUCT MUST BE APPROVED BY THE AUTHORISED PERSON
THIS IS AN UNCONTROLLED PRINT AND WILL NOT BE UPDATED.



A	27/10/03		CHECKED BY	X	±0.4
B	19/10/06		RDS	X.X	±0.2
C	05/01/10			X.XX	±0.1
					DIMS mm
D	06/07/11	DESCRIPTION			
E	20/11/13	TIPS P603			
F	14/04/14	LARGE ANGLE TILT SENSOR			
G	13/09/17				
SCALE		DRAWING NUMBER		REV	
10mm		P603-11		G	
		SHEET		1 OF 1	