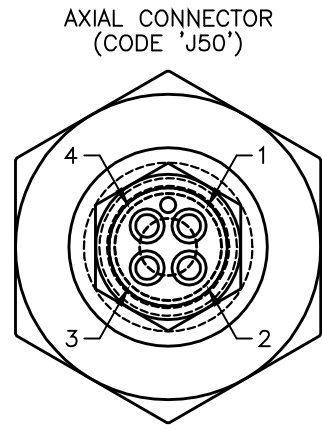
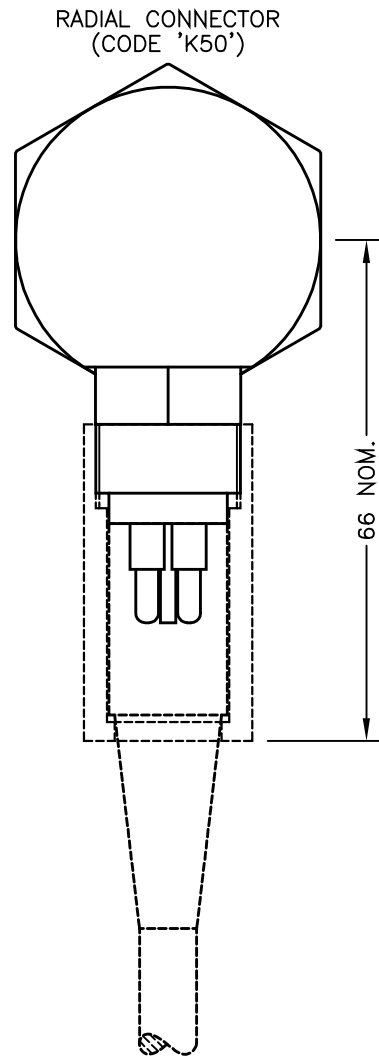
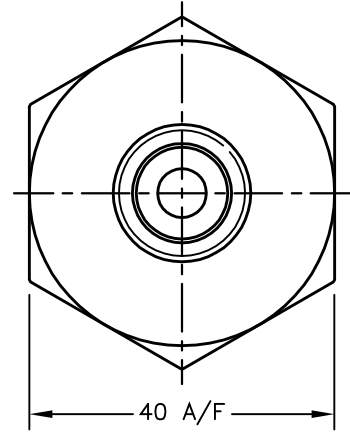
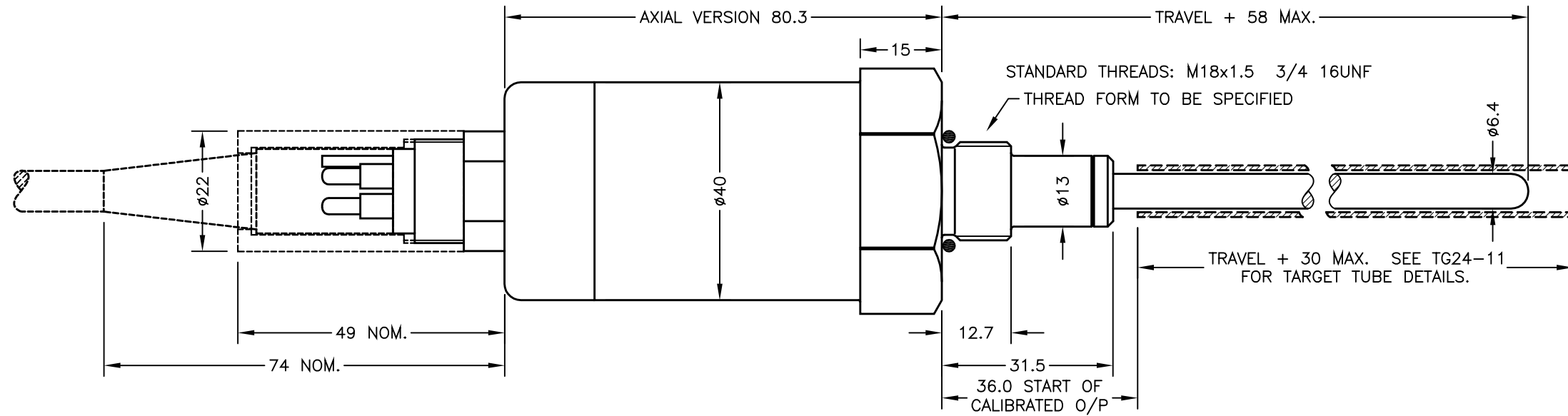


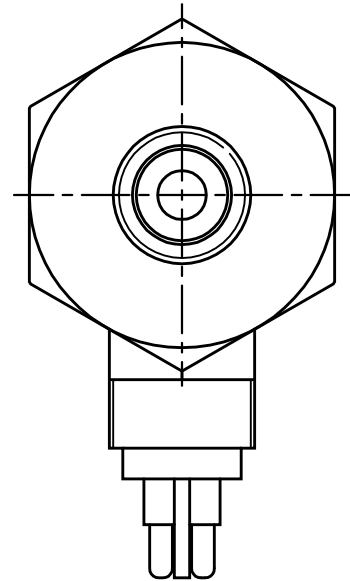
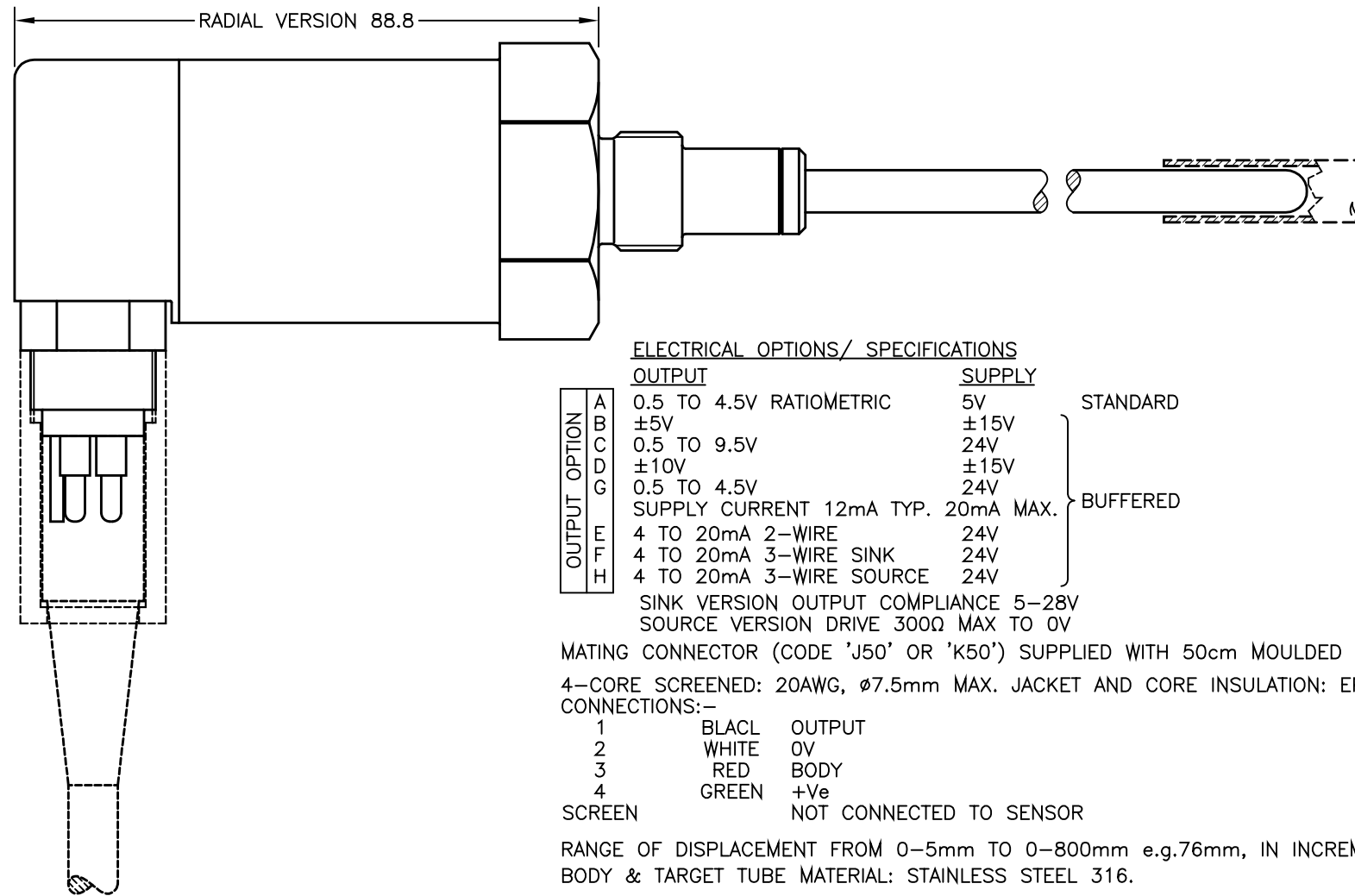
CONNECTORS; MICRO MINI WETMATE, 4-POLE.
 BULKHEAD; MCBH-4-MP-SS, STAINLESS STEEL/MOLDED NEOPRENE, SEALING; 340 BAR OPEN FACE, 600 BAR MATED.
 IN-LINE; MCIL-4-FS, MOLDED NEOPRENE WITH CABLE. LOCKING SLEEVE; MCDLS-F, DELRIN.



AXIAL CONNECTOR
(CODE 'J50')



RADIAL CONNECTOR
(CODE 'K50')



ELECTRICAL OPTIONS/ SPECIFICATIONS

OUTPUT OPTION	OUTPUT	SUPPLY	
A	0.5 TO 4.5V RATIO METRIC	5V	STANDARD
B	±5V	±15V	
C	0.5 TO 9.5V	24V	BUFFERED
D	±10V	±15V	
E	0.5 TO 4.5V	24V	
F	SUPPLY CURRENT 12mA TYP. 20mA MAX.	24V	
G	4 TO 20mA 2-WIRE	24V	
H	4 TO 20mA 3-WIRE SINK	24V	
	4 TO 20mA 3-WIRE SOURCE	24V	

SINK VERSION OUTPUT COMPLIANCE 5-28V
 SOURCE VERSION DRIVE 300Ω MAX TO 0V

MATING CONNECTOR (CODE 'J50' OR 'K50') SUPPLIED WITH 50cm MOULDED CABLE AS STANDARD.

4-CORE SCREENED: 20AWG, ø7.5mm MAX. JACKET AND CORE INSULATION: EPDM.

CONNECTIONS:-

- 1 BLACK OUTPUT
- 2 WHITE 0V
- 3 RED BODY
- 4 GREEN +Ve

SCREEN NOT CONNECTED TO SENSOR

RANGE OF DISPLACEMENT FROM 0-5mm TO 0-800mm e.g.76mm, IN INCREMENTS OF 1mm.

BODY & TARGET TUBE MATERIAL: STAINLESS STEEL 316.

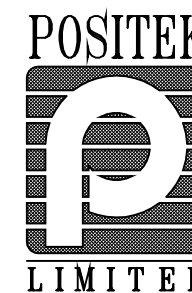
SEE P100-12 FOR DETAILS TYPICAL TARGET TUBE MOUNTING ARRANGEMENTS

MAXIMUM WORKING PRESSURE; HYDRAULIC / PNEUMATIC CYLINDER AND EXTERNAL WATER PRESSURE MUST NOT EXCEED 350 BAR.
 WHERE THE FREE END OF THE CABLE IS TO BE TERMINATED IN A SUBMERGED POSITION, ADEQUATE SEALING MUST BE PROVIDED TO PROTECT CONNECTIONS.

A	FIRST ISSUE - RAN1219	PDM



DRAWINGS NOT TO BE CHANGED WITHOUT REFERENCE TO THE CHANGE PROCEDURE.
 CHANGES TO PARTS USED IN INTRINSICALLY SAFE PRODUCT MUST BE APPROVED BY THE AUTHORISED PERSON
 THIS IS AN UNCONTROLLED PRINT AND WILL NOT BE UPDATED.



A	23/11/17	CHECKED BY	X ±0.4
		RDS	X.X ±0.2
			X.XX ±0.1
			DIMS mm
DESCRIPTION			
S120 350 BAR SUBMERSIBLE LIPS CYLINDER LINEAR POSITION SENSOR			
SCALE	DRAWING NUMBER	S120-11	REV A
10mm			
			SHEET 1 OF 1