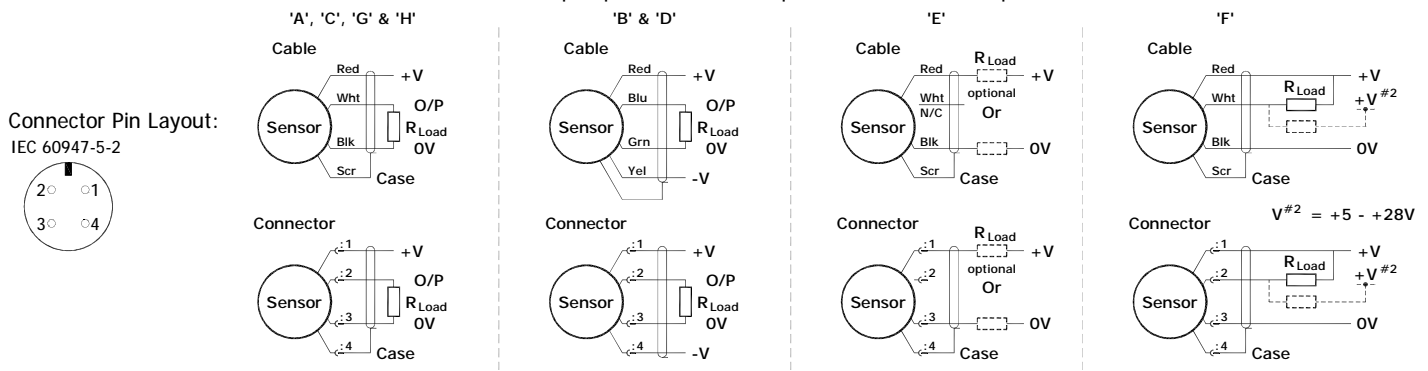


# Installation Information

## LIPS<sup>®</sup> P117 SLIM-LINE LINEAR POSITION SENSOR

Output Option	Output Description:	Supply Voltage: V <sub>s</sub> (tolerance)	Load resistance: (include leads for 4 to 20mA O/Ps)
A	0.5 - 4.5V (ratiometric with supply)	+5V (4.5 - 5.5V)	≥ 5kΩ
C	0.5 - 9.5V	+24V nom. (13 - 28V)	≥ 5kΩ
G	0.5 - 4.5V	+24V nom. (9 - 28V)	≥ 5kΩ

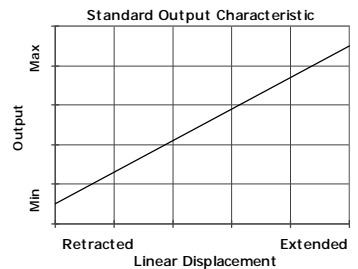
Not all output options available - see product datasheet for full options list



**Mechanical Mounting:** Depending on options;

Body can be mounted by M5x0.8 male thread, M5 rod eye or by clamping the sensor body - body clamps are available, if not already ordered. Target by M5x0.8 male thread or M5 rod eye. It is assumed that the sensor and target mounting points share a common earth.

**Output Characteristic:** Target is extended 2 mm from end of body at start of normal travel. The output increases as the target extends from the sensor body, the calibrated stroke is between 5 mm and 350 mm.



**Warning -** The M12 IEC 60947 connector may be rotated for purposes of convenient orientation of the connector and cable, however rotating the connector more than one complete revolution is not recommended. Repeated rotation of the connector will damage the internal wiring!

**Incorrect Connection Protection levels:-**

- A            **Not protected** – the sensor is **not** protected against either reverse polarity or over-voltage. The risk of damage should be minimal where the supply current is limited to less than 50mA.
- C & G        Supply leads diode protected. Output must not be taken outside 0 to 12V.