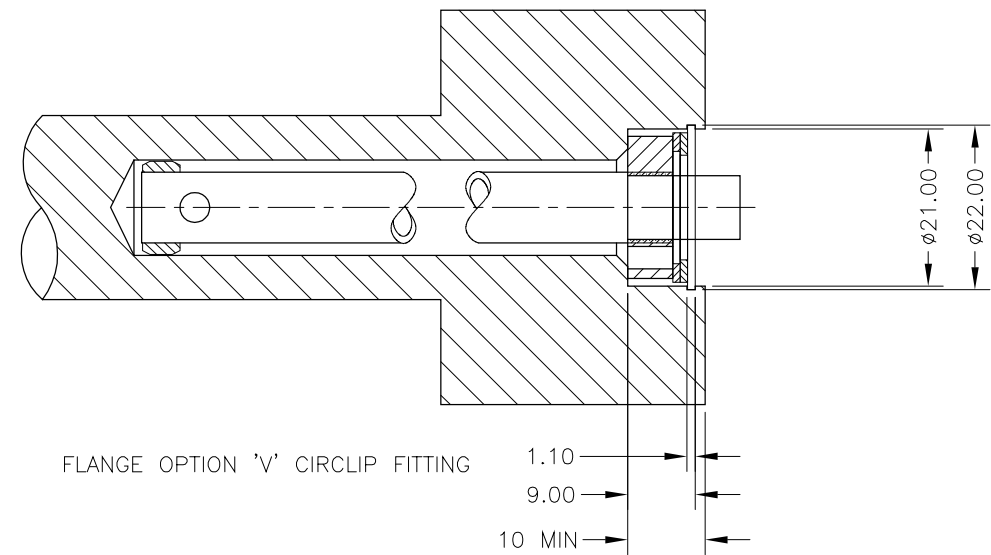


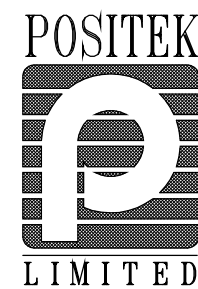
FLANGE OPTION 'W' SCREW FITTING (EQUIVALENT TO MTS 201542 MAGNET)



FLANGE OPTION 'V' CIRCLIP FITTING

A	FIRST ISSUE.	RDS

DRAWINGS NOT TO BE CHANGED WITHOUT REFERENCE TO THE CHANGE PROCEDURE.
 CHANGES TO PARTS USED IN INTRINSICALLY SAFE PRODUCT MUST BE APPROVED
 BY THE AUTHORISED PERSON
 THIS IS AN UNCONTROLLED PRINT AND WILL NOT BE UPDATED.



A	19/12/18	CHECKED BY	X ±0.4
		MAS	X.X ±0.2
			X.XX ±0.1
			DIMS mm
DESCRIPTION			
TYPICAL TARGET TUBE FITTING OPTIONS			
SCALE	DRAWING NUMBER	P130-12	REV A
10mm			
SHEET 1 OF 1			