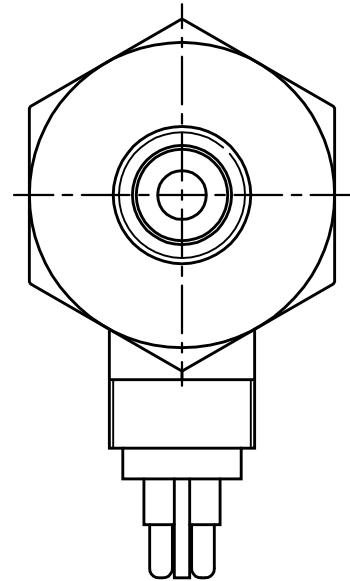
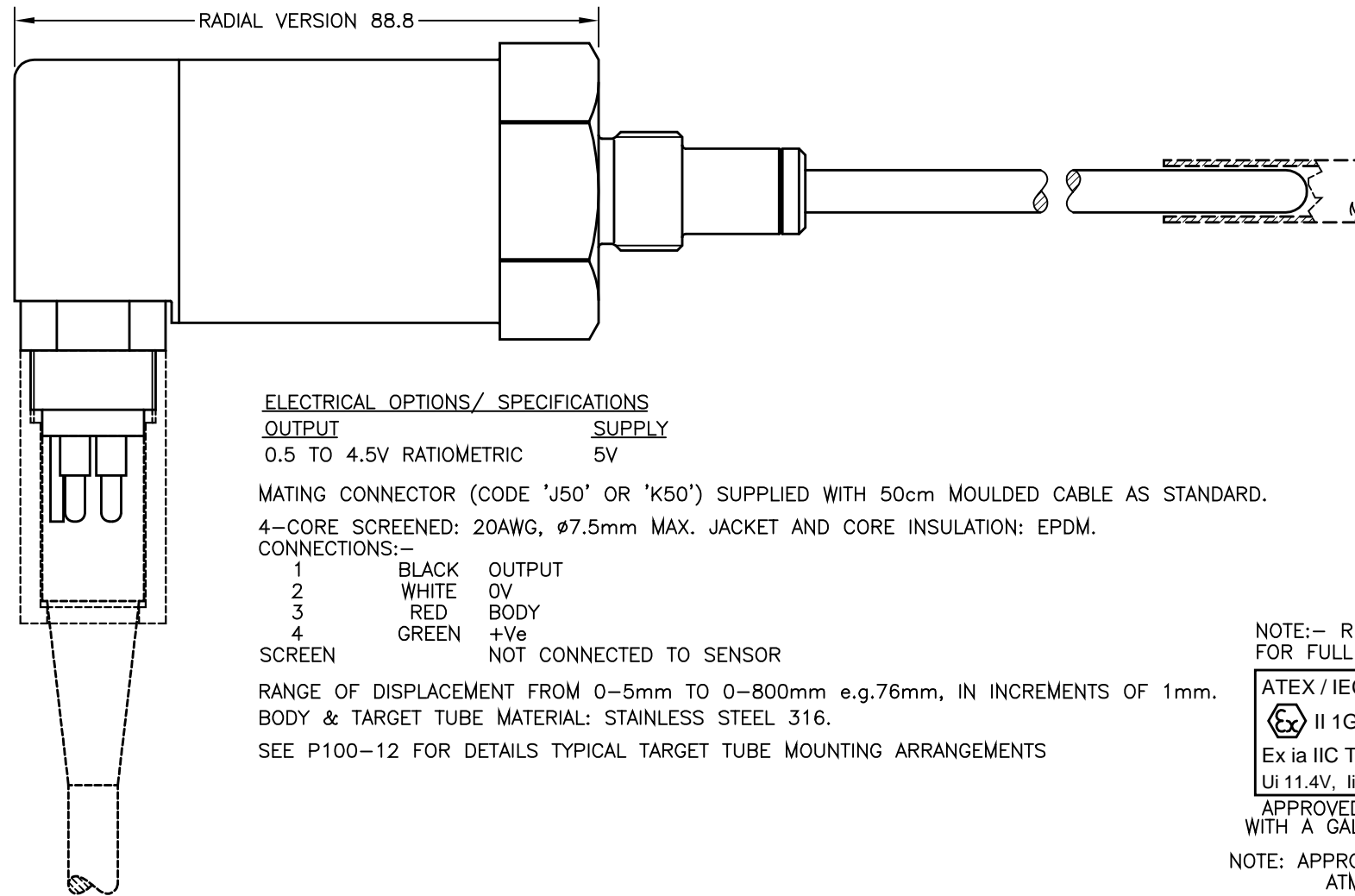
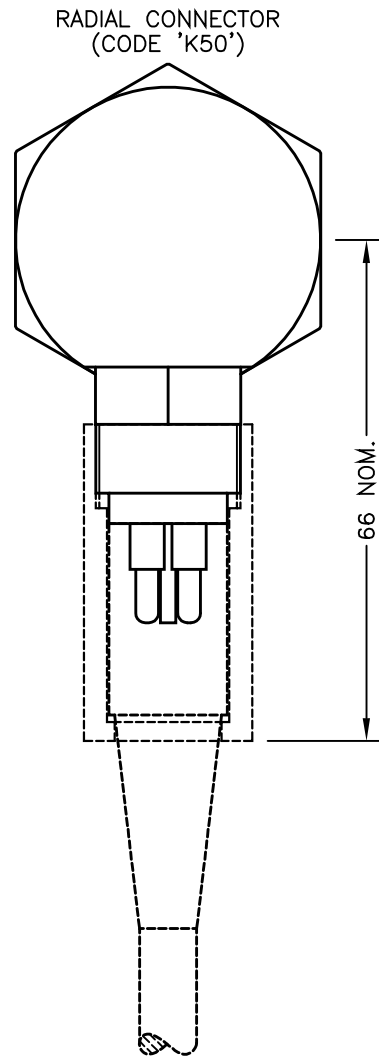
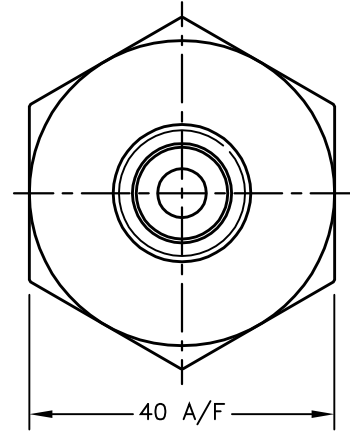
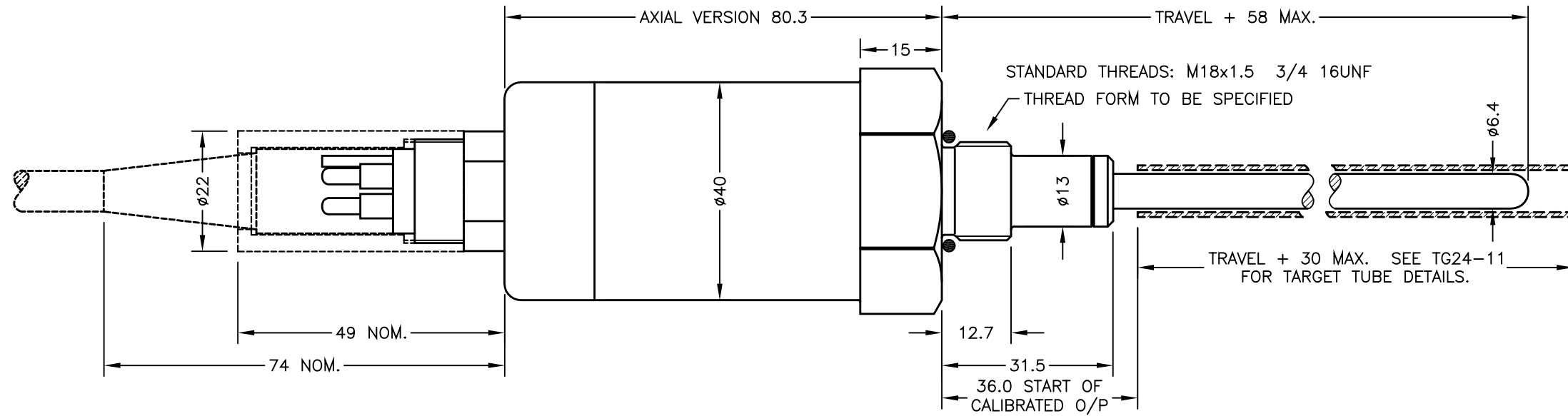
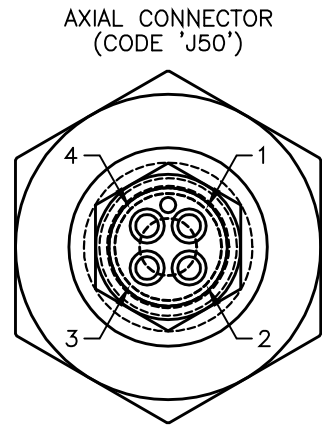


CONNECTORS; MICRO MINI WETMATE, 4-POLE.
 BULKHEAD; MCBH-4-MP-SS, STAINLESS STEEL/MOLDED NEOPRENE, SEALING; 340 BAR OPEN FACE, 600 BAR MATED.
 IN-LINE; MCIL-4-FS, MOLDED NEOPRENE WITH CABLE. LOCKING SLEEVE; MCDLS-F, DELRIN.



ELECTRICAL OPTIONS/ SPECIFICATIONS

OUTPUT	SUPPLY
0.5 TO 4.5V RATIO-METRIC	5V

MATING CONNECTOR (CODE 'J50' OR 'K50') SUPPLIED WITH 50cm MOULDED CABLE AS STANDARD.

4-CORE SCREENED: 20AWG, ϕ 7.5mm MAX. JACKET AND CORE INSULATION: EPDM.

CONNECTIONS:-


1	BLACK	OUTPUT
2	WHITE	0V
3	RED	BODY
4	GREEN	+Ve
SCREEN		NOT CONNECTED TO SENSOR

RANGE OF DISPLACEMENT FROM 0-5mm TO 0-800mm e.g.76mm, IN INCREMENTS OF 1mm.

BODY & TARGET TUBE MATERIAL: STAINLESS STEEL 316.

SEE P100-12 FOR DETAILS TYPICAL TARGET TUBE MOUNTING ARRANGEMENTS

NOTE:- READ INSTALLATION SHEET X120-19 FOR FULL INSTRUCTIONS FOR USE.

ATEX / IECEx APPROVED TO
 II 1G
 Ex ia IIC T4 Ga (Ta= -40° to +80°C)
 Ui 11.4V, Ii 0.2A, Pi 0.51W

APPROVED FOR USE IN CONJUNCTION WITH A GALVANICALLY ISOLATED BARRIER.

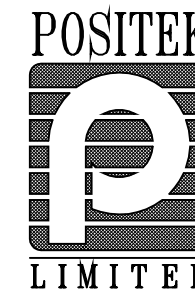
NOTE: APPROVAL ONLY APPLIES AT NORMAL ATMOSPHERIC PRESSURE!

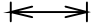
MAXIMUM WORKING PRESSURE; HYDRAULIC / PNEUMATIC CYLINDER AND EXTERNAL WATER PRESSURE MUST NOT EXCEED 350 BAR.
 WHERE THE FREE END OF THE CABLE IS TO BE TERMINATED IN A SUBMERGED POSITION, ADEQUATE SEALING MUST BE PROVIDED TO PROTECT CONNECTIONS.

A	FIRST ISSUE ~ RAN1219	PDM



DRAWINGS NOT TO BE CHANGED WITHOUT REFERENCE TO THE CHANGE PROCEDURE.
 CHANGES TO PARTS USED IN INTRINSICALLY SAFE PRODUCT MUST BE APPROVED BY THE AUTHORISED PERSON
 THIS IS AN UNCONTROLLED PRINT AND WILL NOT BE UPDATED.



A	23/11/17	CHECKED BY	X ±0.4
		RDS	X.X ±0.2
			X.XX ±0.1
			DIMS mm
DESCRIPTION			
INTRINSICALLY SAFE 350 BAR			
SUBMERSIBLE LIPS CYLINDER			
LINEAR POSITION SENSOR			
SCALE	DRAWING NUMBER	X120-11	REV A
10mm			
			SHEET 1 OF 1